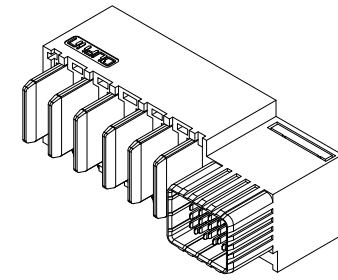


REV.	SPECIFICATION	ECN NO.	APPD.
R1		ECN221203	

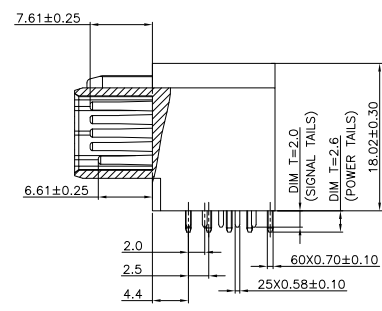
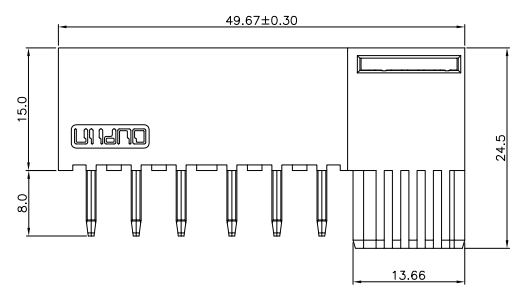


Material and Plating:
Housing: LCP, UL94V-0, Black.
Molding: LCP, UL94V-0, Beige.
Stopper: LCP, UL94V-0, Black.
Power Contacts: High Conductivity Copper.
Au+Pd/Ni or Gold Plated on Contact Area and 80u"
Tin Plated on Solder Tail over Nickel 50u".
Signal Contacts: Brass.
Au+Pd/Ni or Gold Plated on Contact Area and 80u"
Tin Plated on Solder Tail over Nickel 50u".

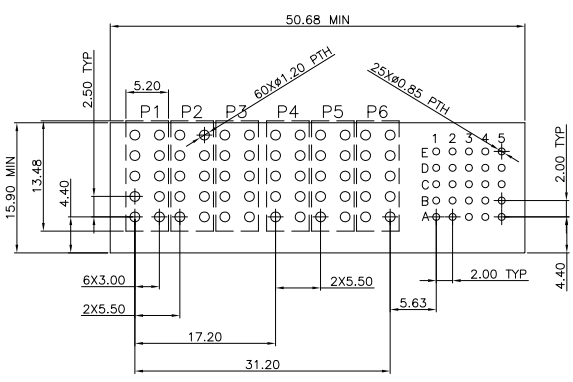
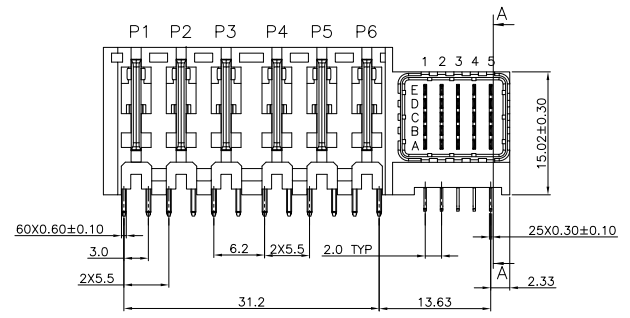
Electrical Characteristics:
Current Rating: Signal Pin 2 A With 1-ckt.
Power Pin 90 A With 1-ckt.
Dielectric Withstanding Voltage: Power Pin :AC 1500V For 1 minute.
Signal Pin :AC 500V For 1 minute.
Insulator Resistance: 5000MΩ min.
Contact Resistance: Signal Pin 30mΩ max.
Power Pin 0.3mΩ max.
Operating Temperature: -40°C ~+105°C .

***RoHS Compliant**

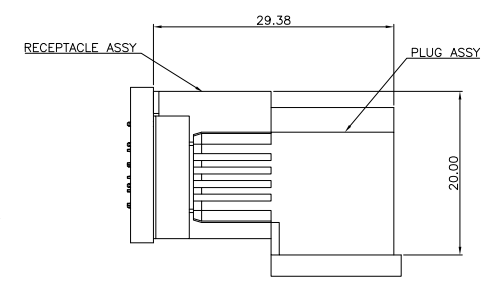
Notes :
A Row: Signal Contact Length is 6.61mm.
Other Signal: Signal Contact Length is 7.61mm
All Power Contact Length is 8.0mm.



SECTION:A-A



TOP VIEW
P.C.Board Layout(Component Side)
(Tolerance:±0.05/ PCB Thickness 2.60mm)



Mating Drawing

9397- 1 P06S25 B7 S A A01
Series 1: Male Right Angle
P06S25:P06+S25
B7:CB30
S: Dip Type
A01: Without Post, Without Guides,
Power Tails Dim T=2.6mm, Signal Tails Dim T=2.0mm
A: Tray Package

Tolerances	Dwg. No.	9397-DP06S25-001	Title:		9397 Series Plug, Right Angle, 90A			
x = ±0.5	Projection							
.x = ±0.25	Unit	mm	Scale	1:1	 OUPIIN ELECTRONIC(KUNSHAN) CO., LTD. P/N: 9397-1P06S25B7SAA01			
.xx = ±0.15	Drawn By	WP 12/03'22						
			SHEET	1/1	Ver. No.	R1		