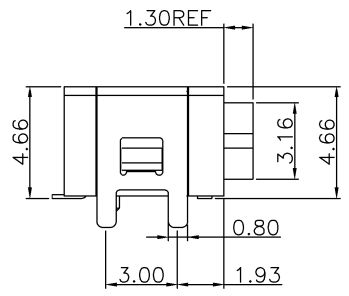
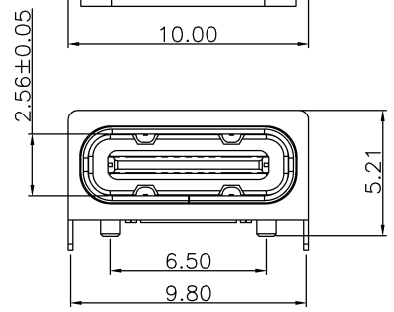
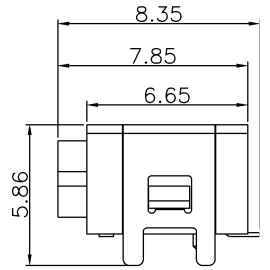
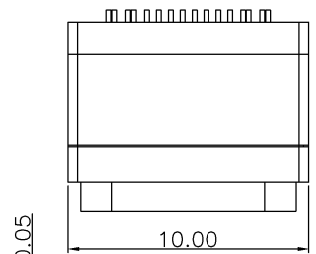
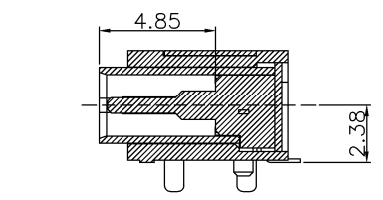
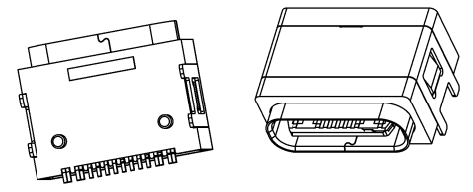
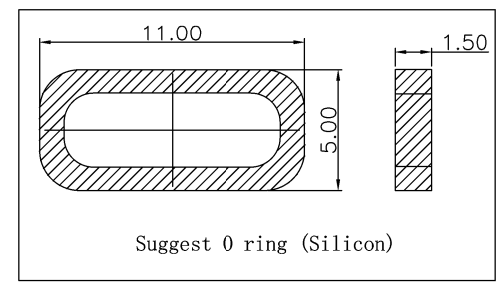
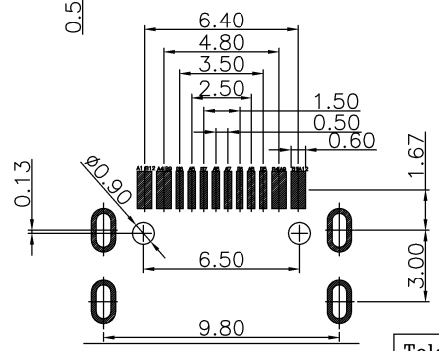
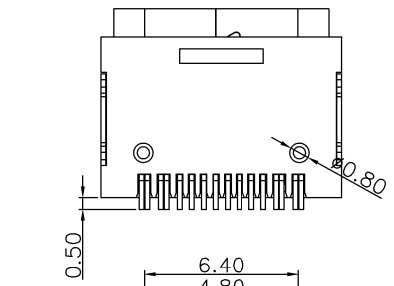


REV.	SPECIFICATION	ECN NO.	APPD.

Material:
Housing: LCP, UL94V-0.
Contacts: Copper Alloy, Gold Plated on Contact and Gold Flash on Solder tail over Nickel 50u".
Shell: Stainless Steel, 30u" Nickel Plated.
Mid Plated: Stainless Steel.
Electrical Characteristics:
Current Rating: 5 AMP.
Voltage Rating: AC 100V .
Dielectric Withstanding Voltage: AC 100V.
Insulation Resistance: 100MΩ min.
Contact Resistance: 40mΩ max.
Operating Temperature: -40°C~+85°C.
***RoHS Compliant**
***IPX7**



8975WP -C 16 G 00 D B 5 P T
Series ——— T: Tape & Reel Package
C: C Type ——— P: With Post
Position ——— 5: Type 5
G: Gold Plated ——— B: Black
00: Gold Flash ——— D: SMD Type



PIN	SIGNAL NAME	PIN	SIGNAL NAME
A1	GND	B12	GND
A4	VBUS	B9	VBUS
A5	CC1	B8	SBU2
A6	DP1	B7	DN2
A7	DN1	B6	DP2
A8	SBU1	B5	CC2
A9	VBUS	B4	VBUS
A12	GND	B1	GND

RECOMMENDED P.C.B. LAYOUT
TOLERANCE UNSPECIFIED ±0.05mm

Tolerances	Dwg No.	8975D02007		Title:	
.x = ±0.30	Projection			8975WP Series USB C SMD Type Waterproof	
.xx = ±0.25	Unit	mm	Scale		1:N
.xxx = ±0.10	Drawn By	Martin 06/22'22			

614

OUPIN			
OUPIN ELECTRONIC(KUNSHAN) CO., LTD.			
P/N: 8975WP-C16G00DB5PT			
SHEET	1/1	Ver.No.	A2