

# 歐品電子(昆山)有限公司

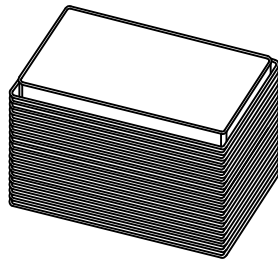
OUPIIN ELECTRONIC(KUNSHAN) CO.,LTD.

PACKAGING SPECIFICATION (包裝作業規範)

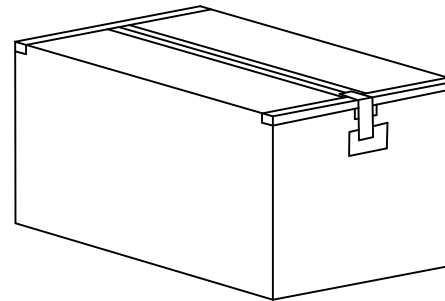
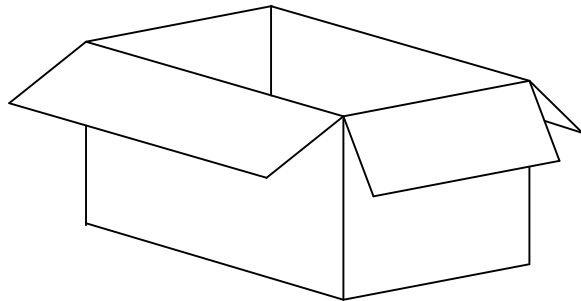
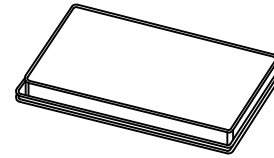
SPEC.NO.(規範編號)	7905SPP	適用產品: 7905-xxMTBG00N3N6N5A	PAGE	1/1	REV.	I676
----------------	---------	----------------------------	------	-----	------	------

PACKING OPERATION DIAGRAM & INSTRUCTION (包裝作業圖示及說明)

REMARK (備註)



20 Tray/Carton



Packing:

Positions	Pcs/Tray	Tray/Carton	Pcs/Carton	Carton: N.W:kg	Carton: G.W:kg	Carton size (mm)
09	50	20	1000	4.5	6.0	357*200*187
15	50	20	1000	6.5	8.0	357*254*187
25	50	20	1000	9.5	12.0	360*321*187
37	40	20	800	10.5	13.5	360*321*187
50	40	20	800	12.0	15.0	457*318*224

Drawn By: Martin 03/26'21