

歐品電子(昆山)有限公司

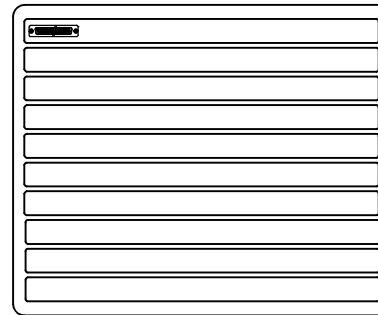
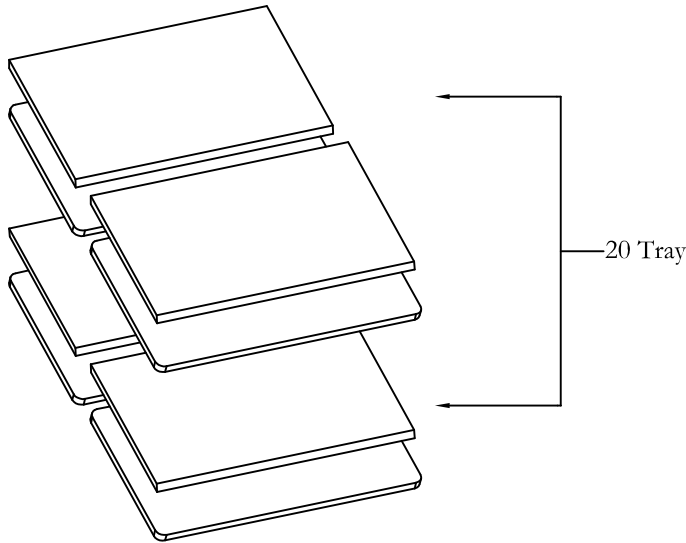
OUPIIN ELECTRONIC(KUNSHAN) CO.,LTD.

PACKAGING SPECIFICATION (包裝作業規範)

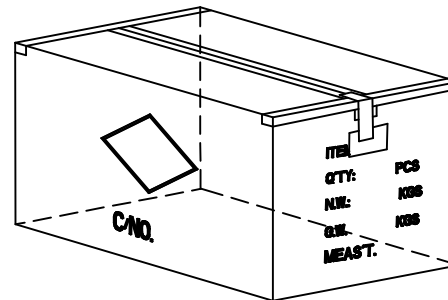
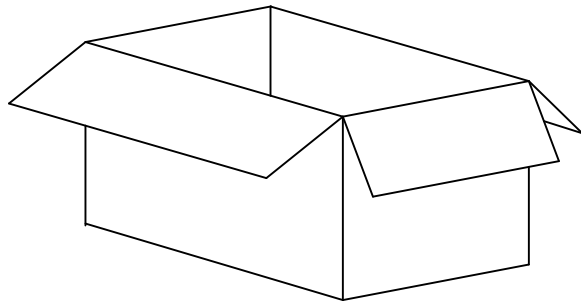
SPEC.NO.(規範編號)	7905SPP	適用產品: 7905-15FTxGxxN3N6A	PAGE	1/1	REV.	I767
----------------	---------	--------------------------	------	-----	------	------

PACKING OPERATION DIAGRAM & INSTRUCTION (包裝作業圖示及說明)

REMARK (備註)



Tray:310(mm)X230(mm)



Carton:460(mm)X330(mm)X230(mm)

Packing:
70 PCS/ TRAY
20TRAY/CARTON
1400 PCS/ CARTON

CARTON:
N.W.= 15.1 Kg
G.W.= 16.1 Kg

Drawn By: Jerry 12/10'19