

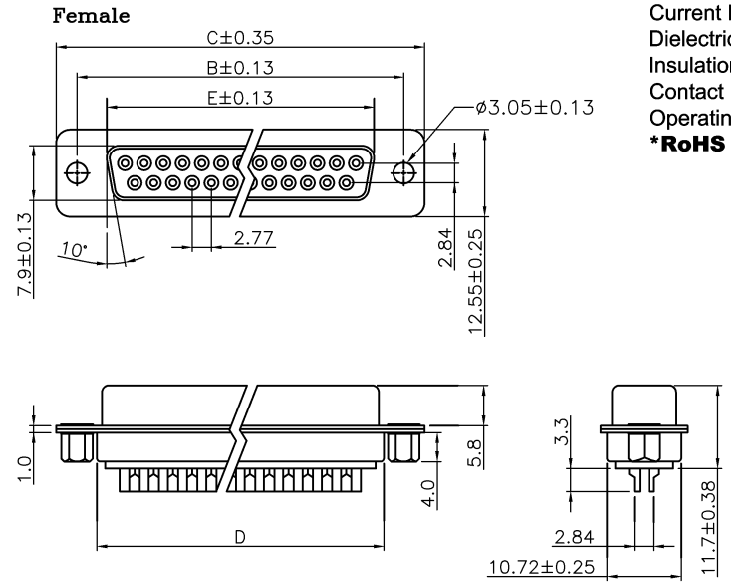
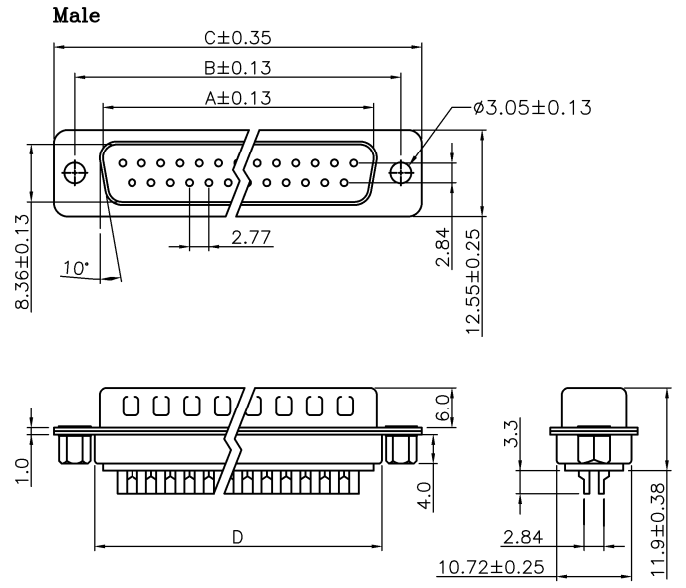
REV.	SPECIFICATION	ECN NO.	APPD.

**Material:**  
Housing: PBT, UL94V-0.  
Contacts: Brass, Gold Plated on Contact Area and 80~100u"  
Min Tin Plated on solder tail over Nickel 30u" Min  
or Gold Plated over Nickel 30u" Min.

Shell: Steel.

**Electrical Characteristics:**  
Current Rating: 1 AMP.  
Dielectric Withstanding Voltage: AC 1000V for 1 minute.  
Insulation Resistance: 1000MΩ min. at DC 500V.  
Contact Resistance: 20mΩ max. at DC 100mA.  
Operating Temperature: -55°C~+105°C.

**\*RoHS Compliant**



7907- xx M T B C 00 N2 A

Series ————  
Positions ————  
M: Male  
F: Female  
B: Black  
U: Blue  
W: White  
00: Gold Flash  
C: Selective Gold Plated  
G: Gold Plated  
A: Tray Package  
N2: With NUTS 4-40UNC Threaded Riveted On Rear Side

Position	Dimension				
	A	B	C	D	E
9	16.92	24.99	30.81	19.28	16.33
15	25.25	33.32	39.14	27.51	24.66
25	38.96	47.04	53.04	41.30	38.38
37	55.42	63.50	69.32	57.40	54.84

Tolerances	Dwg. No.	7907D03009	Title:	
x = ±0.5	Projection	⊕ ⊖	7907 Series	
.x = ±0.25	Unit	mm	D-SUB Solder Cup Type	
.xx = ±0.15	Scale	1:N		
	Drawn By	Martin 08/23'21		

**OUPIIN**  
**OUPIIN ELECTRONIC(KUNSHAN) CO., LTD.**  
P/N: 7907-xxMTBC00N2A & 7907-xxFTBC00N2A

SHEET	1/1	Ver.No.	A1
-------	-----	---------	----