

歐品電子(昆山)有限公司

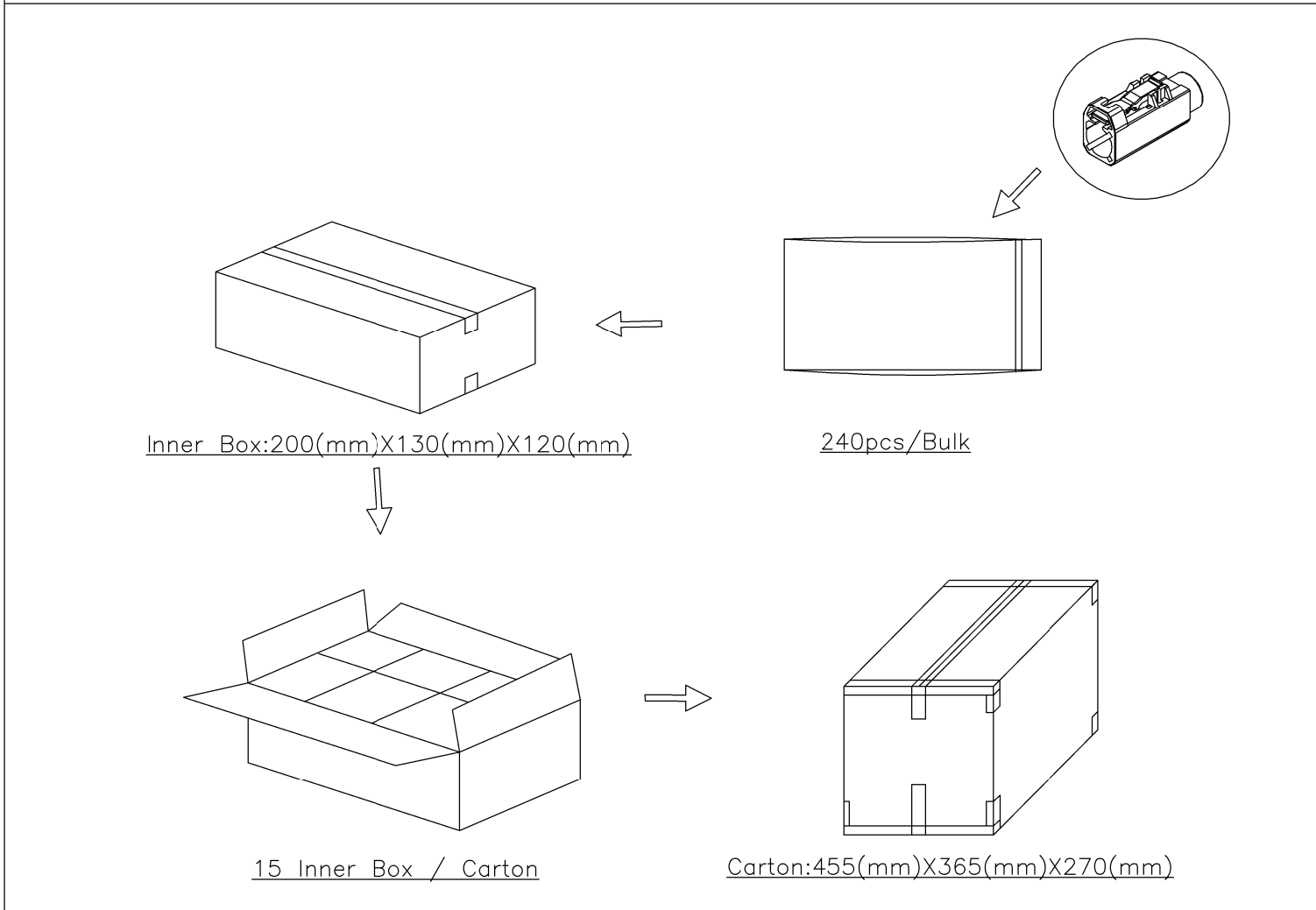
OUPIIN ELECTRONIC(KUNSHAN) CO.,LTD.

PACKAGING SPECIFICATION (包裝作業規範)

SPEC.NO.(規範編號)	5100SPP	適用產品: 5100-FxC06C01B	PAGE	1/1	REV.	I619
----------------	---------	----------------------	------	-----	------	------

PACKING OPERATION DIAGRAM & INSTRUCTION (包裝作業圖示及說明)

REMARK (備註)



Packing:
240 Pcs/ Bulk
240 Pcs/Inner box
15 Inner box/Carton
3600 Pcs/Carton

Drawn By: Martin 12/16'22