

REV.	SPECIFICATION	ECN NO.	APPD.
R1		ECN231215	

Material and Plating:

Housing: LCP, UL94V-0 ,Black.

Power Contacts: High Conductivity Copper .
30u" Au +Pd/Ni on Contact Area and 80u" Min Tin Plated on Solder Tail over nickel 50u" Min .

Signal Contacts : Phosphor Bronze.

30u" Au +Pd/Ni on Contact Area and 80u" Min Tin Plated on Solder Tail over nickel 50u" Min .

Electrical Characteristics:

Current Rating: Signal Pin 1.0 A.

Power Pin 12.0 A.

Dielectric Withstanding Voltage:

Signal Pin DC 500V For 1 minute.

Power Pin DC 1000V For 1 minute.

Insulator Resistance: Signal Pin 500MΩ min. at DC 500V.

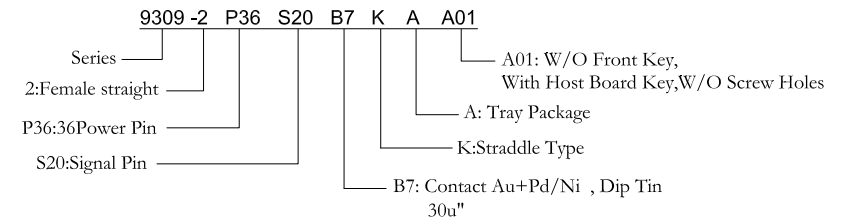
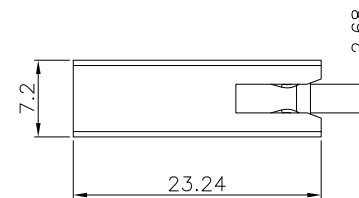
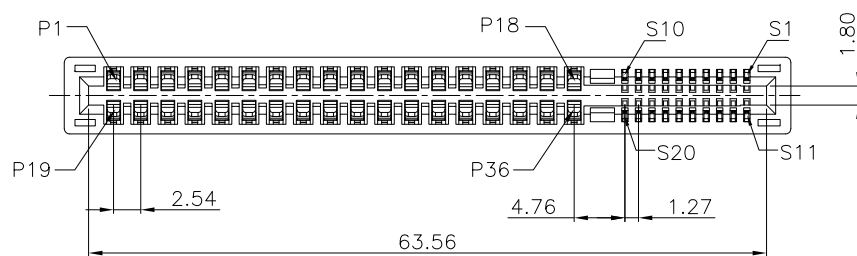
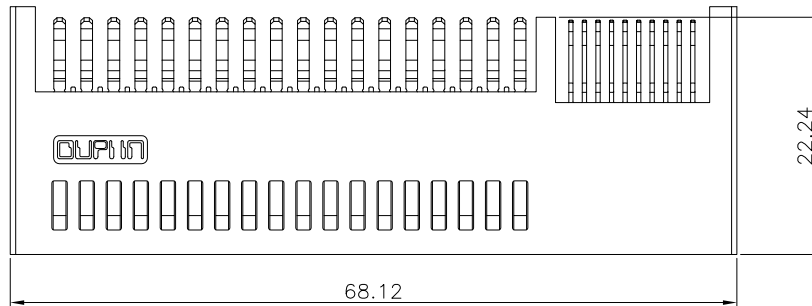
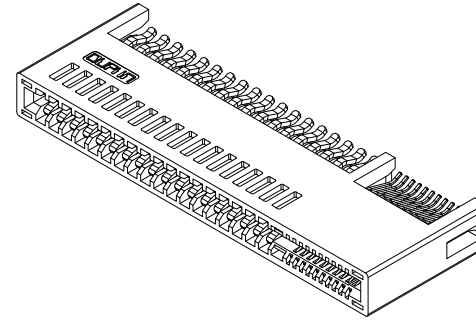
Power Pin 5000MΩ min. at DC 500V.

Contact Resistance: Signal Pin 30mΩ max.

Power Pin 5mΩ max.

Operating Temperature: -40°C ~+105°C.

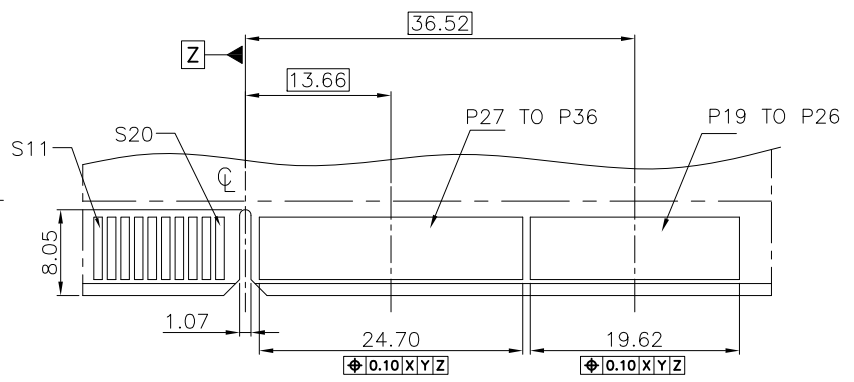
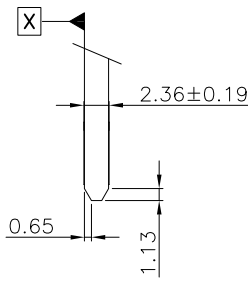
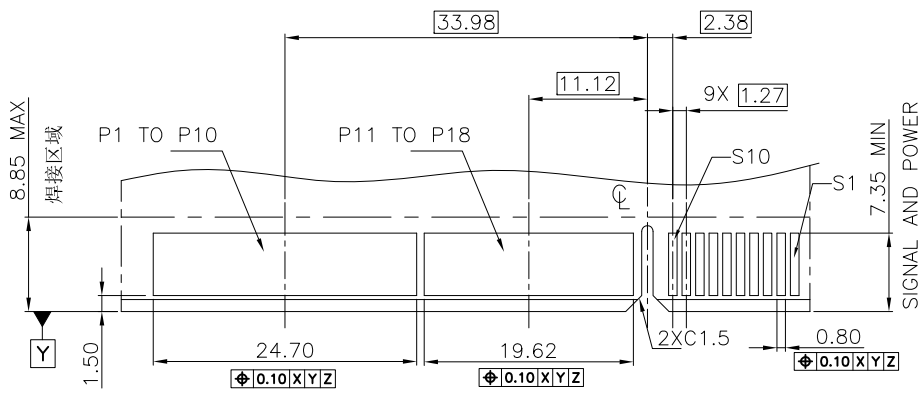
***RoHS Compliant**



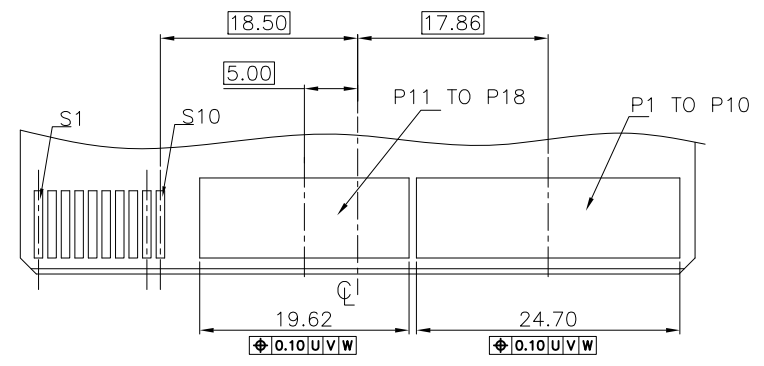
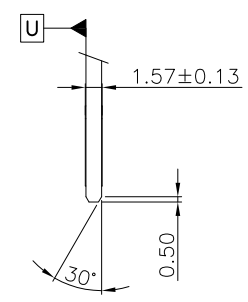
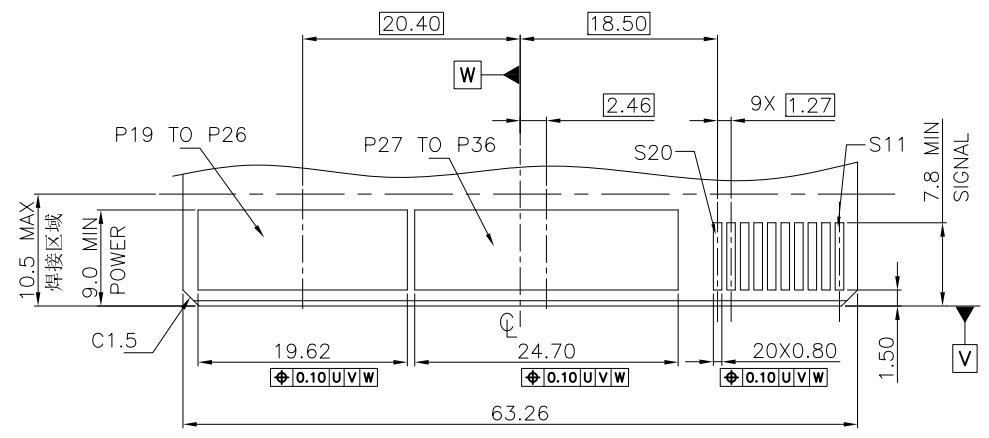
Tolerances	Dwg No.	9309-DP36S20-001		Title: 9309 Series High power and signal edge Card connector	
x = ±0.5	Projection				
.x = ±0.35	Unit	mm	Scale		1:1
.xx = ±0.25	Drawn By	GYJ 12/12'23			

OUPIN			
OUPIN ELECTRONIC(KUNSHAN) CO., LTD.			
P/N: 9309-2P36S20B7KAA01			
SHEET	1/2	Ver.No.	R1


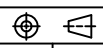
REV.	SPECIFICATION	ECN NO.	APPD.
R1		ECN231215	



Recommended Host Board Layout
(Tolerance: ±0.05)



Recommended Card Layout
(Tolerance: ±0.05)

Tolerances x = ±0.5 .x = ±0.35 .xx = ±0.25	Dwg No. 9309-DP36S20-001		Title:		 OUPIIN ELECTRONIC(KUNSHAN) CO., LTD. P/N: 9309-2P36S20B7KAA01
	Projection 		9309 Series		
	Unit mm	Scale 1:1	High power and signal		
	Drawn By GYJ 12/12'23	edge Card connector		SHEET 2/2	
					Ver.No. R1