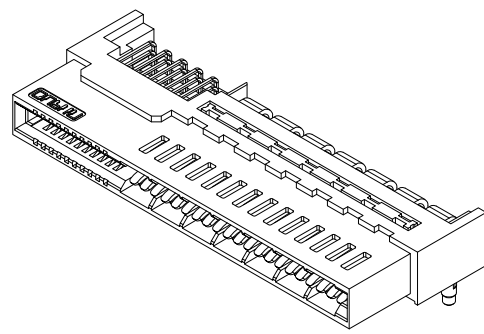
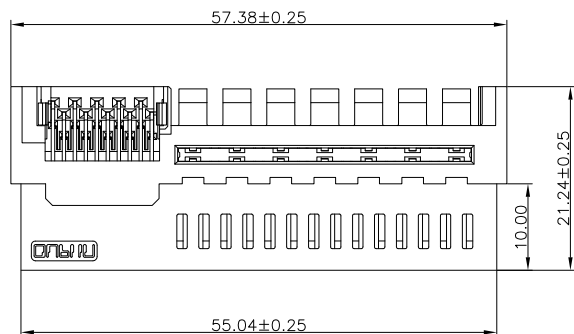


REV.	SPECIFICATION	ECN NO.	APPD.
X5			



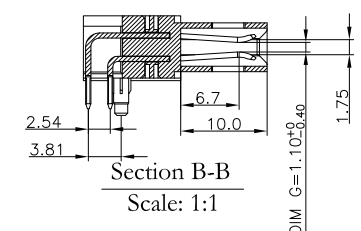
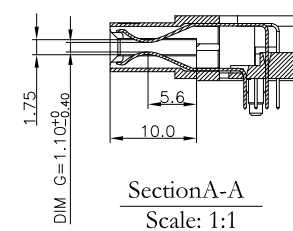
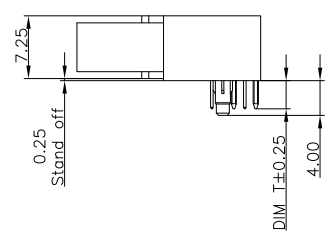
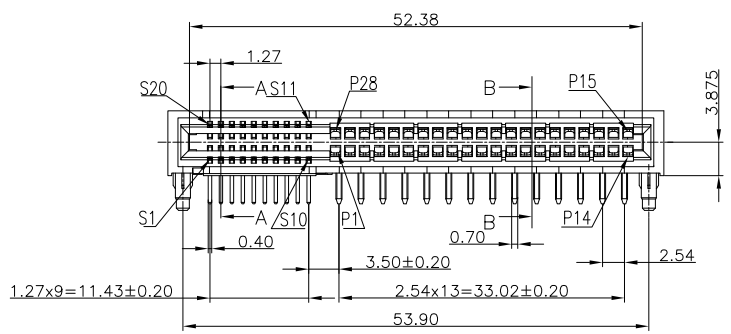
Material and Plating:

Housing: LCP, UL94V-0, Black.
 Stopper: LCP, UL94V-0, Black.
 Power Contacts: High Conductivity Copper.
 Gold Plated or Au+Pd/Ni on Contact Area and 80u" Min Tin Plated on Solder Tail over Nickel 50u" Min .
 Signal Contacts: Phosphor Bronze.
 Gold Plated or Au+Pd/Ni on Contact Area and 80u" Min Tin Plated on Solder Tail over Nickel 50u" Min .

Electrical Characteristics:

Current Rating: Power Pin 15A (UL). Signal Pin 1.5A .
 Dielectric Withstanding Voltage:
 Power Pin DC 1000V For 1 Minute.
 Signal Pin DC 500V For 1 Minute.
 Contact Resistance: Power Pin 0.6mΩ max.
 Signal Pin 25mΩ max.
 Insulation Resistance: Power Pin 5000MΩ min. at DC 500V.
 Signal Pin 500MΩ min. at DC 500V.
 Operating Temperature: -55°C~+105°C.

***Rohs Compliant**



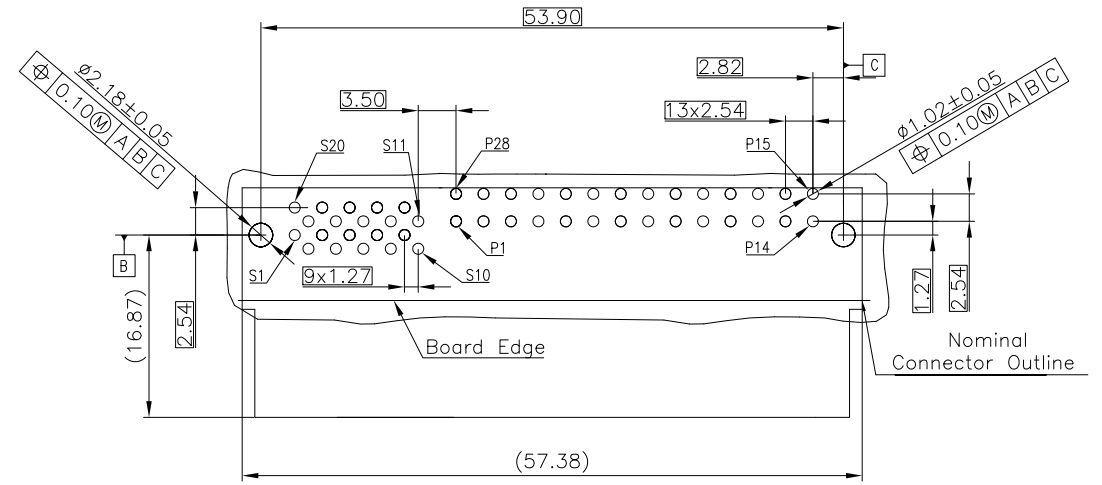
9302-M 4 S20 P14 P 1 1 A CB30 D A

Series
 4:Female Right-angle
 S20:Signal Pin
 P14: 14 Group=28 Pin
 N:W/O Post
 P:With Post=4.00mm
 1: DIM T=3.25mm
 1: DIM G(GAP)1.10mm
 A: Signal Pitch 1.27
 B: Signal Pitch 2.54
 A: Tray Package
 D: Dip Type
 CB30: Contact Au+Pd/Ni,Dip Tin Power pin:30u"
 C10: Selective Gold Plated 10u"

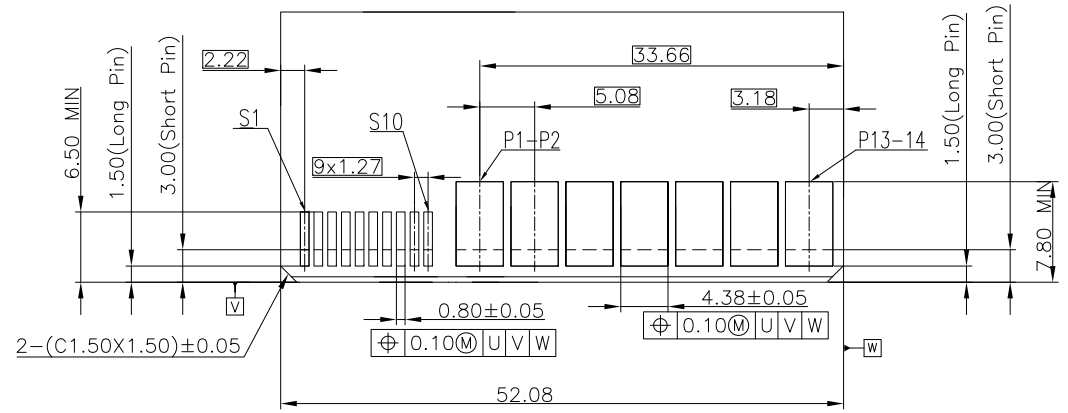
Tolerances	Dwg No.	9302-D0000-083	Title:
X=0.5	Projection		9302-M Series High Power And Signal Edge Card Connector
.X=0.25	Unit	mm	
.XX=0.15	Scale	1:1	
	Drawn By	WP 09/08'23	

UPIIN			
UPIIN ELECTRONIC(KUNSHAN) CO., LTD.			
P/N: 9302-M4S20P14P11ACB30DA			
SHEET	1/2	Ver.No.	X5

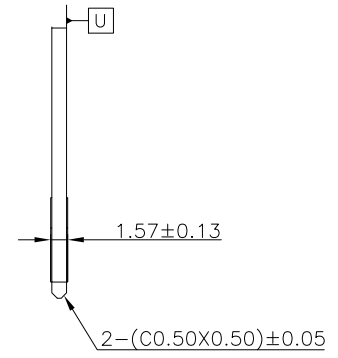
REV.	SPECIFICATION	ECN NO.	APPD.
X5			



P.C. Board Layout
(Tolerance:±0.05)



RECOMMENDED MATING BOARD
FOOT PRINT
(Tolerance:±0.05)



Tolerances	Dwg No.	9302-D0000-083	Title:
X=0.5	Projection		9302-M Series High Power And Signal Edge Card Connector
.X=0.25	Unit	mm	
.XX=0.15	Scale	1:1	
	Drawn By	WP 09/08'23	

OUPIIN			
OUPIIN ELECTRONIC(KUNSHAN) CO., LTD.			
P/N: 9302-M4S20P14P11ACB30DA			
SHEET	2/2	Ver.No.	X5