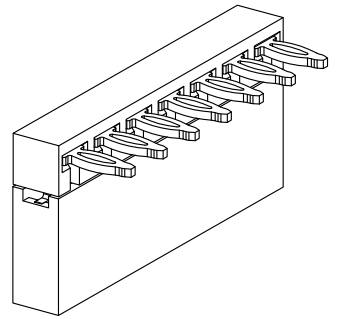
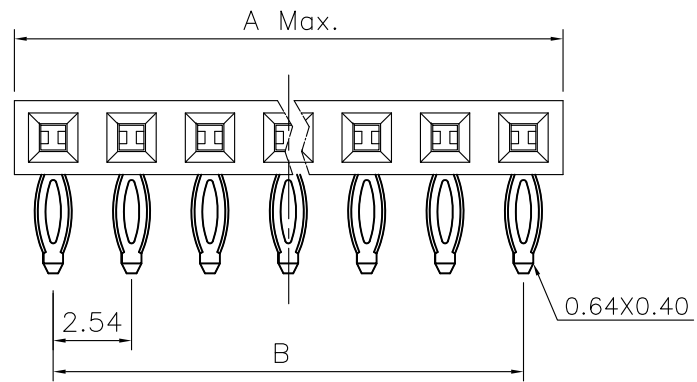


REV.	SPECIFICATION	ECN NO.	APPD.
R1		ECN230701	



Material and Plating:

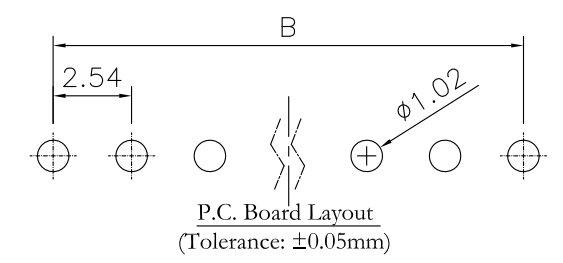
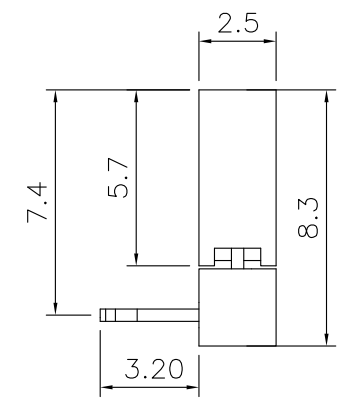
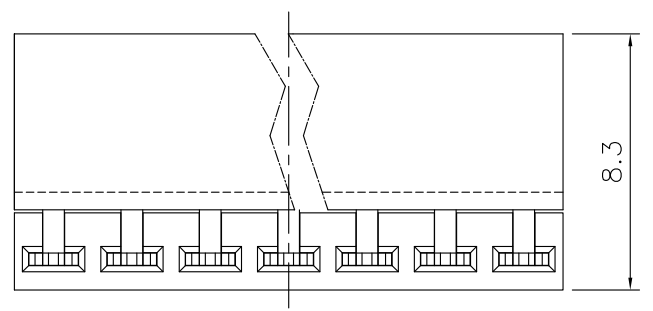
Housing: PBT,UL94V-0,BLACK.
 Cover: PBT,UL94V-0,BLACK.
 Contacts: Brass.
 Gold Plated or 80u" Min Tin Plated on Contact Area and 80u" Min Tin or Gold Flash Plated on Solder Tail over Nickel 50u"Min.

Electrical Characteristics:

Current Rating: 2 AMP.
 Dielectric Withstanding Voltage: AC 1000V For 1 minute.
 Insulator Resistance: 1000MΩ min. at DC 500V.
 Contact Resistance: 20mΩ max. at DC 100mA.
 Operating Temperature: -55°C~+105°C .

***RoHS Compliant**

Insertion Depth: 2.55mm to 3.80mm.



2042- 1 X xx G xx R P A -Q Internal Code
 Series
 Single Row
 No. of Pin Per Row
 G: Gold Plated
 T: Tin Plated
 A: Tray Package
 B: Bulk Package
 P: Press Fit
 R: Right Angle
 00: G/F
 10: 10μ"
 15: 15μ"
 30: 30μ"

Position	2 Thru 40
Dimension	
A	2.54 X No. of Position
B	2.54 X No. of Position -2.54

Tolerances	Dwg. No.	2042-D0000-021	Title:	
x = ±0.5	Projection		2042 Series	
.x = ±0.25	Unit	mm	Scale	1:1
.xx = ±0.15	Drawn By	JCQ 07/03'23	P.C.B. Socket 2.54mm (0.100")	

OUPIIN ELECTRONIC(KUNSHAN) CO., LTD.			
P/N: 2042-1XxxGxxRPA-Q			
SHEET	1/1	Ver.No.	R1