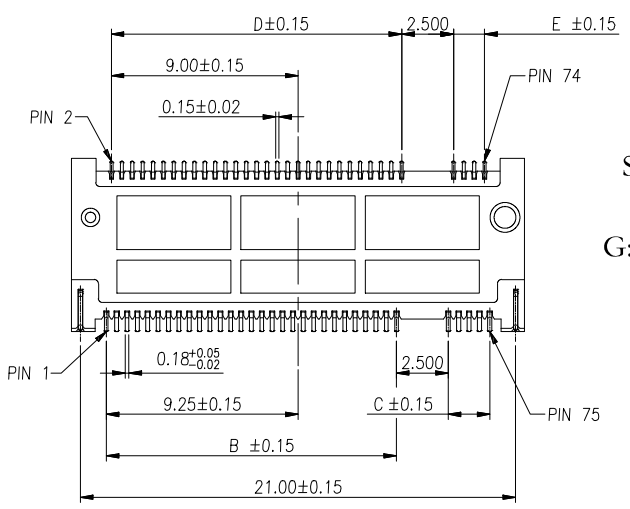
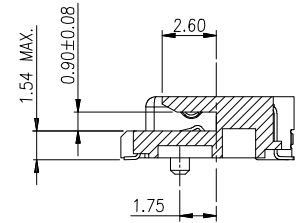
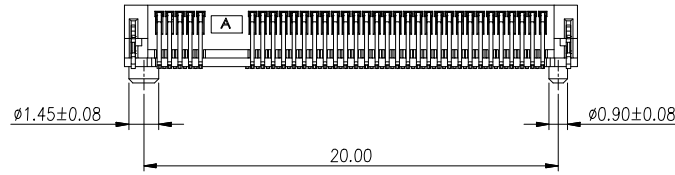
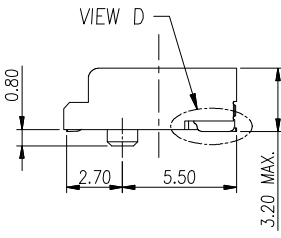
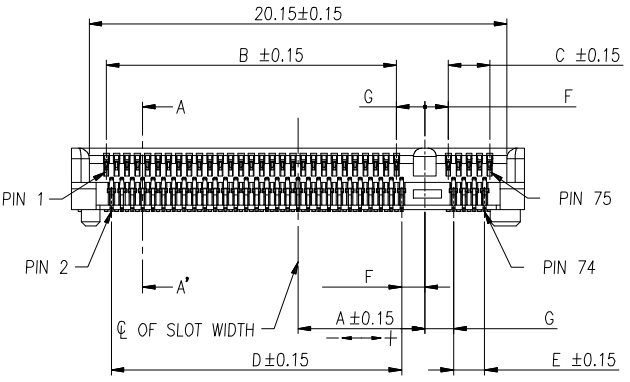
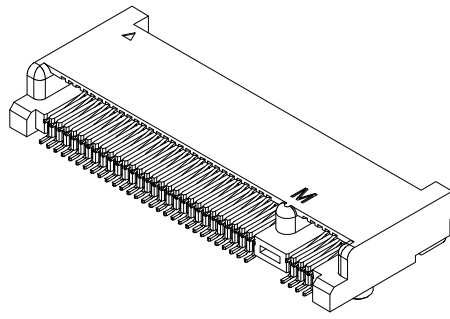
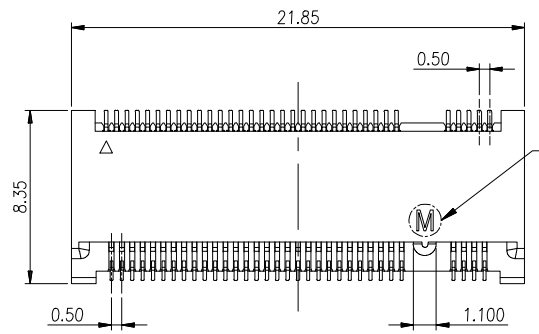
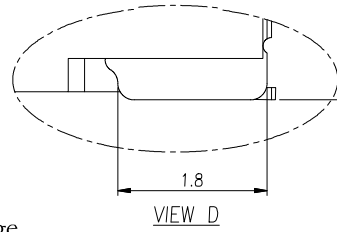


REV.	SPECIFICATION	ECN NO.	APPD.

Material:
Housing: LCP, UL94V-0, Black.
Contacts: Phosphor Bronze, Gold Plated on Contact Area and Gold Flash on Solder Tail over Nickel 50~100u".
Fitting Nail: Brass, 100~200u" Matte Tin Plated on Solder Tail; 50~100u" Nickel Plated overall.
Electrical Characteristics:
Current Rating: 0.5 AMP.
Dielectric Withstanding Voltage: AC 300V.
Insulation Resistance: 500MΩ min.
Contact Resistance: 55mΩ max.
Operating Temperature: -40°C~+80°C.
***RoHS Compliant**



Series **8402-C** 67 **G** 00 x 3 **T** -G4 Gen4
G: Gold Plated
T: Tape & Reel Package
3: Height 3.2mm
00: Gold Flash
15:15u"
30:30u"
B: Key B
E: Key E
M: Key M



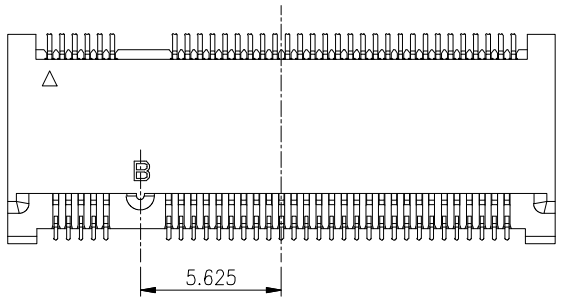
G	F	E	D	C	B	A	KEY ID
1.125	1.375	13.5	2.0	13.5	2.5	-5.625	B
1.125	1.375	10.5	5.0	10.5	5.5	-2.625	E
1.375	1.125	1.5	14.0	2.0	14.0	6.125	M

Tolerances	Dwg. No.	S2620230704-01	
x. = ±0.40	Projection	⊕ ⊖	
.x = ±0.30	Unit	mm	Scale 1:N
.xx = ±0.20	Drawn By	Martin 07/04'23	
.xxx = ±0.10			

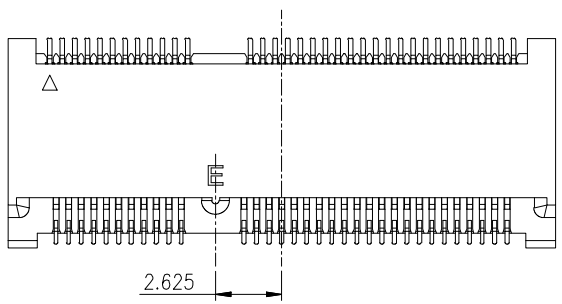
Title: 8402-C Series
M.2(NGFF) Connector
Pitch 0.5mm, Height 3.2mm
Gen4

OUPIN			
OUPIN ELECTRONIC(KUNSHAN) CO., LTD.			
P/N: 8402-C67G00x3T-G4			
SHEET	1/4	Ver.No.	X1

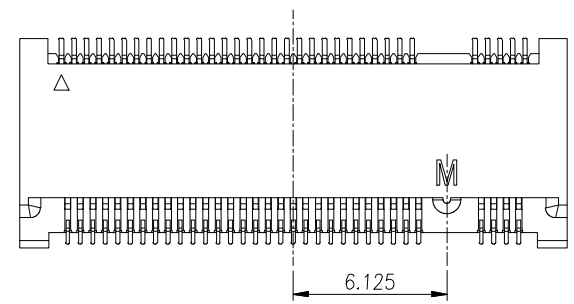
REV.	SPECIFICATION	ECN NO.	APPD.




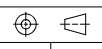
Key B



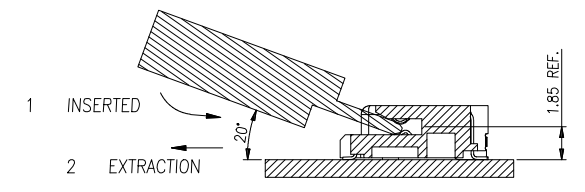
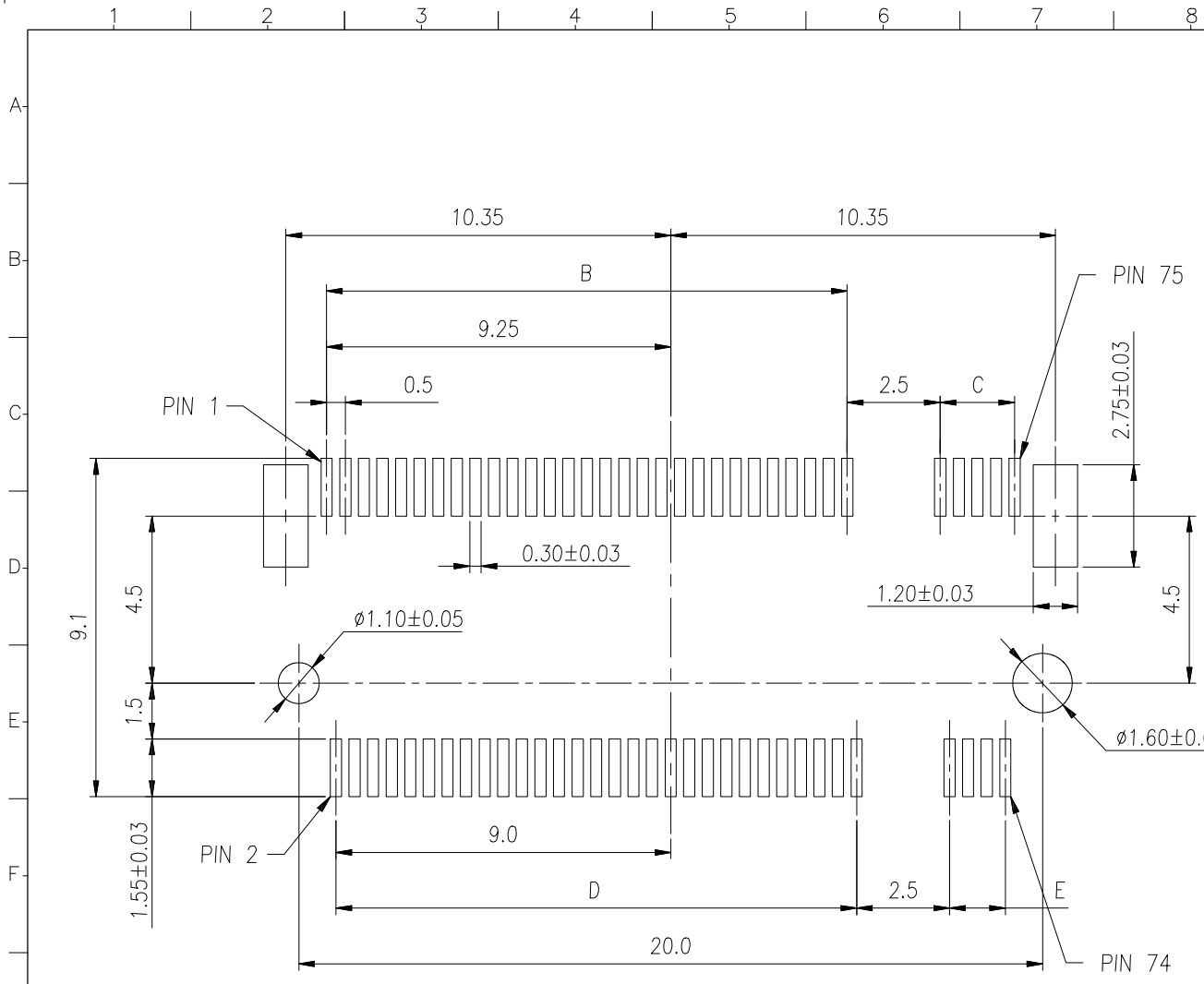
Key E



Key M

Tolerances x. = ±0.40 .x = ±0.30 .xx = ±0.20 .xxx = ±0.10	Dwg. No. S2620230704-01		Title: 8402-C Series		 OUPIIN ELECTRONIC(KUNSHAN) CO., LTD. P/N: 8402-C67G00x3T-G4
	Projection 		M.2(NGFF) Connector		
	Unit mm	Scale 1:N	Pitch 0.5mm, Height 3.2mm		
	Drawn By Martin 07/04'23	① 716	Gen4		
SHEET		2/4	Ver.No.	X1	

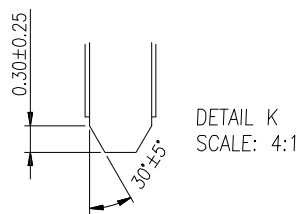
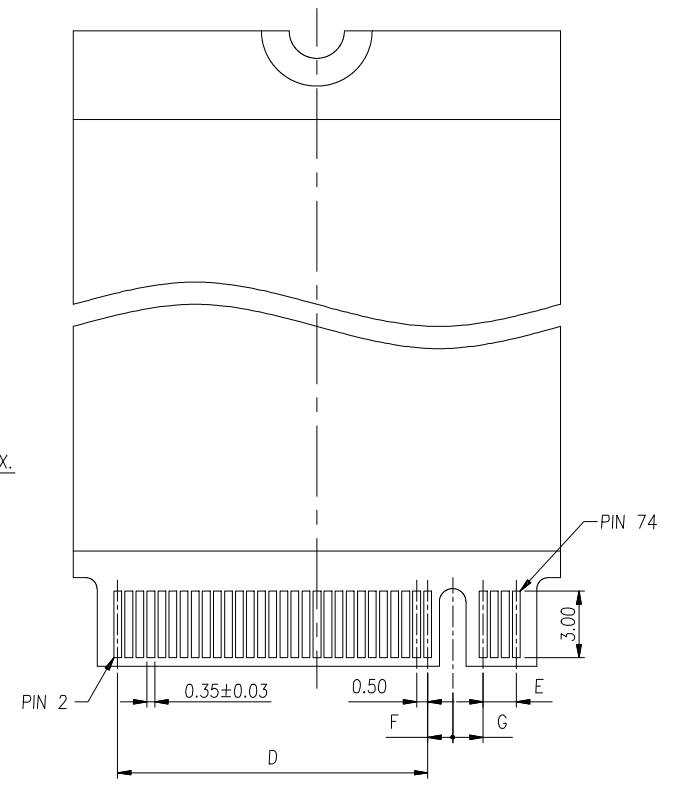
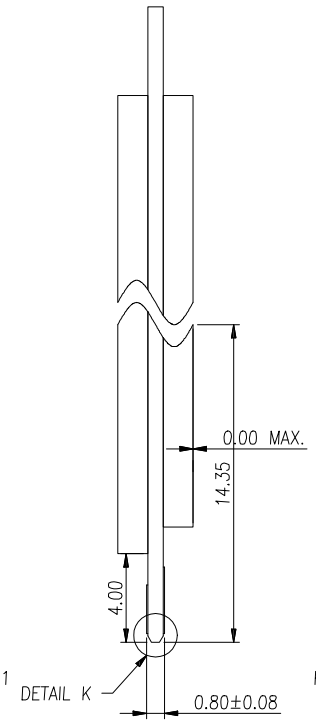
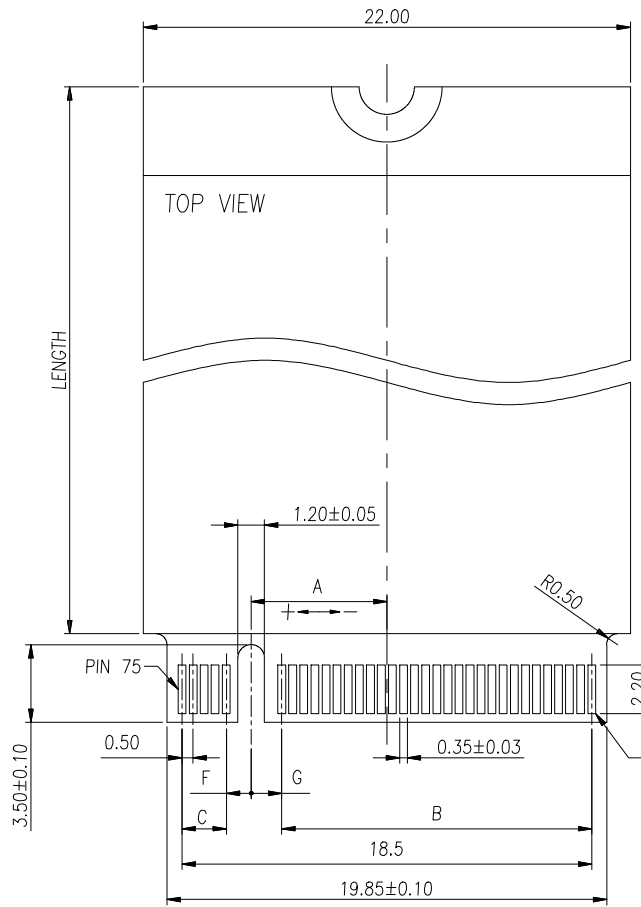
REV.	SPECIFICATION	ECN NO.	APPD.



RECOMMENDED OPERATING FLOW:
MATE: 1
UNMATE: 2

Tolerances .x = ±0.40 .x = ±0.30 .xx = ±0.20 .xxx = ±0.10	Dwg. No.	S2620230704-01		Title: 8402-C Series M.2(NGFF) Connector Pitch 0.5mm, Height 3.2mm Gen4					
	Projection							OUPIIN ELECTRONIC(KUNSHAN) CO., LTD. P/N: 8402-C67G00x3T-G4	
	Unit	mm	Scale		1:N	SHEET	3/4		
	Drawn By	Martin 07/04'23			① 716				

REV.	SPECIFICATION	ECN NO.	APPD.



Tolerances	Dwg. No.	S2620230704-01	
x. = ±0.40	Projection		
.x = ±0.30	Unit	mm	Scale
.xx = ±0.20	Drawn By	Martin	1:N
.xxx = ±0.10		07/04'23	716

Title: 8402-C Series
M.2(NGFF) Connector
Pitch 0.5mm, Height 3.2mm
Gen4

OUPIIN ELECTRONIC(KUNSHAN) CO., LTD.			
P/N: 8402-C67G00x3T-G4			
SHEET	4/4	Ver.No.	X1