

# 歐品電子(昆山)有限公司

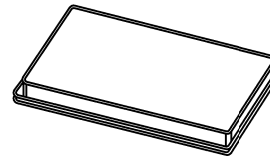
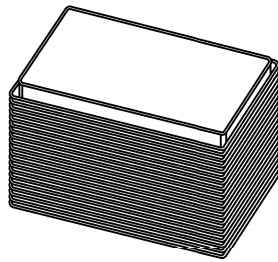
OUPIIN ELECTRONIC(KUNSHAN) CO.,LTD.

PACKAGING SPECIFICATION (包裝作業規範)

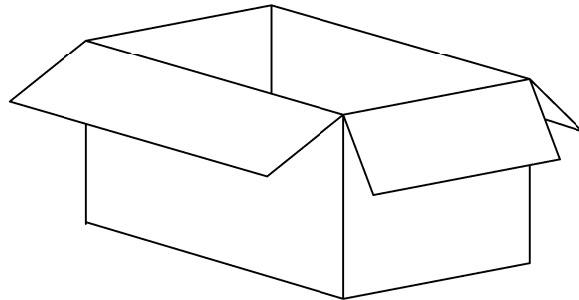
SPEC.NO.(規範編號)	8949SPP	適用產品: 8949-AL1881-06S1CBA	PAGE	1/1	REV.	I563
----------------	---------	---------------------------	------	-----	------	------

PACKING OPERATION DIAGRAM & INSTRUCTION (包裝作業圖示及說明)

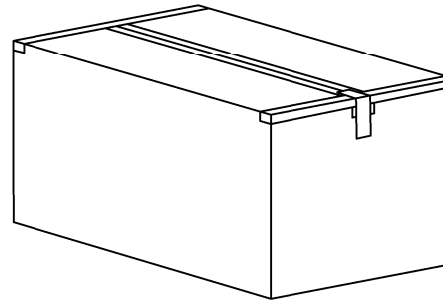
REMARK (備註)



90 Pcs / Tray



Total: 30 Tray / Carton



Carton: 557(mm)X273(mm)X206(mm)

**Packing:**  
90 Pcs / Tray  
30 Tray / Carton  
2700 Pcs / Carton

**Carton:**  
N.W.: 12.7 kg  
G.W.: 15.7 kg

Drawn By: Martin 10/05'21