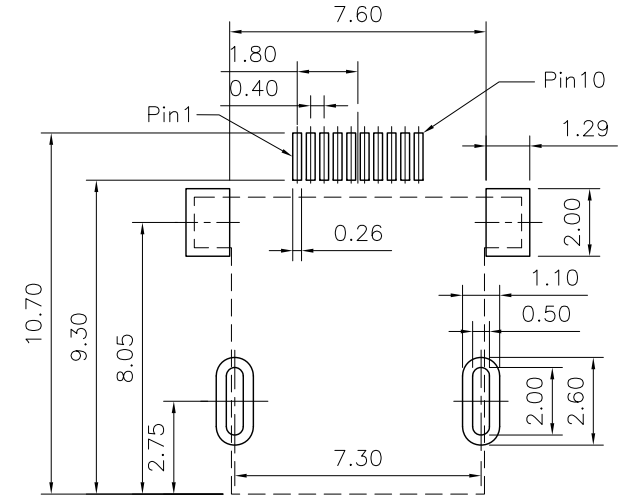
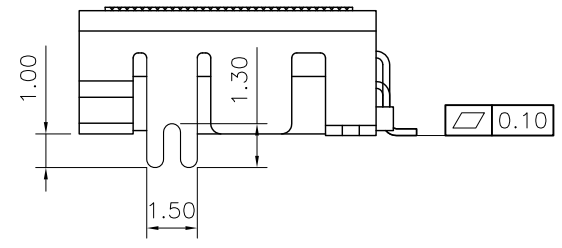
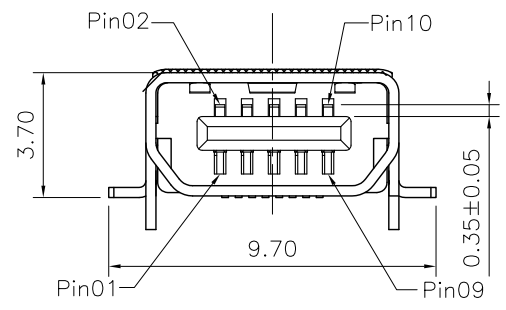
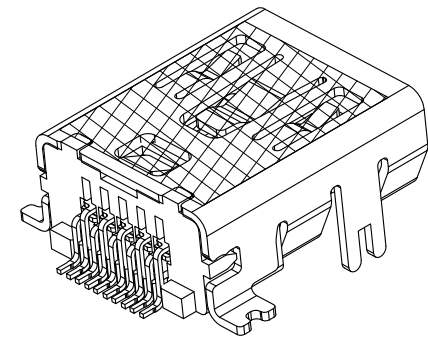
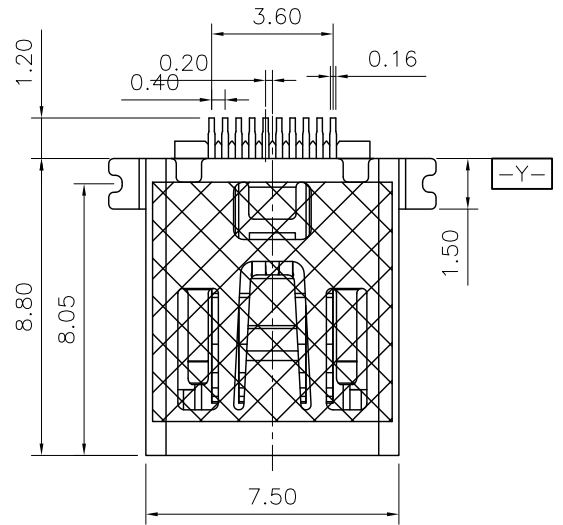


REV.	SPECIFICATION	ECN NO.	APPD.
R2		ECN111219	



P.C.Board Layout  
(Tolerance:±0.05)

8969-AB 10 G xx D 3 B T- S  
 Series Position C: Selective Gold Plated G: Gold Plated 00: G/F 15: 15μ" 10: 10μ" 30: 30μ"  
 D: Surface Mount 3: Type 3 B: Black T: Tape & Reel Package S: Mylar A: Tray Package

**Material:**

Housing: High Temperature Plastic UL94V-0.  
 Contacts: Copper Alloy.  
 Shield Case: Metal.

**Electrical Characteristics:**

Current Rating: 1 AMP.  
 Dielectric Withstanding Voltage: AC 100V For 1 minute  
 Insulator Resistance: 100MΩ min. at DC 250V.  
 Contact Resistance: 50mΩ max. at DC 100mA.  
 Operating Temperature: -20° C~+85° C.

**\*RoHS Compliant**

Tolerances	Dwg.No.	8969-D0000-005	Title:
x = ±0.50	Projection		8969 Series Mini USB AB Type 10PINS SMD Female
.x = ±0.25	Unit	mm	
.xx = ±0.15	Scale	1:1	
	Drawn By	XJH 12/06'11	

OUPIIN ELECTRONIC(KUNSHAN) CO., LTD.			
P/N: 8969-AB10GxxD3BT-S			
SHEET	1/1	Ver.No.	R2