

# 歐品電子(昆山)有限公司

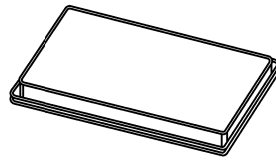
OUPIIN ELECTRONIC(KUNSHAN) CO.,LTD.

PACKAGING SPECIFICATION (包裝作業規範)

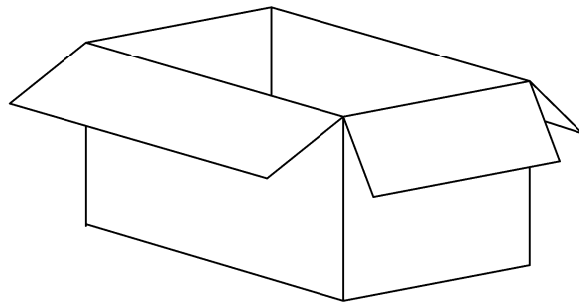
SPEC.NO.(規範編號)	8968SPP	適用產品: 8968-A04C00Sx10A	PAGE	1/1	REV.	I676
----------------	---------	------------------------	------	-----	------	------

PACKING OPERATION DIAGRAM & INSTRUCTION (包裝作業圖示及說明)

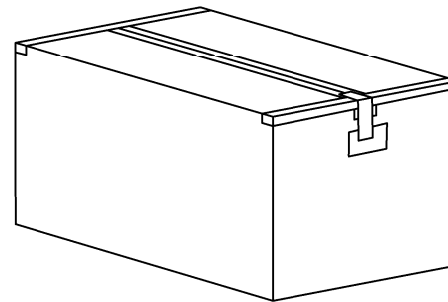
REMARK (備註)



100 pcs/Tray



Total: 25 Tray/Carton



Carton:290(mm) X 230(mm) X 240(mm)

**Packing:**  
100 Pcs/Tray  
25 Trays/Carton  
2.5k Pcs/Carton

**Carton:**  
N.W.= 5 kg  
G.W.= 6 kg

Drawn By: Martin 11/25'21