

歐品電子(昆山)有限公司

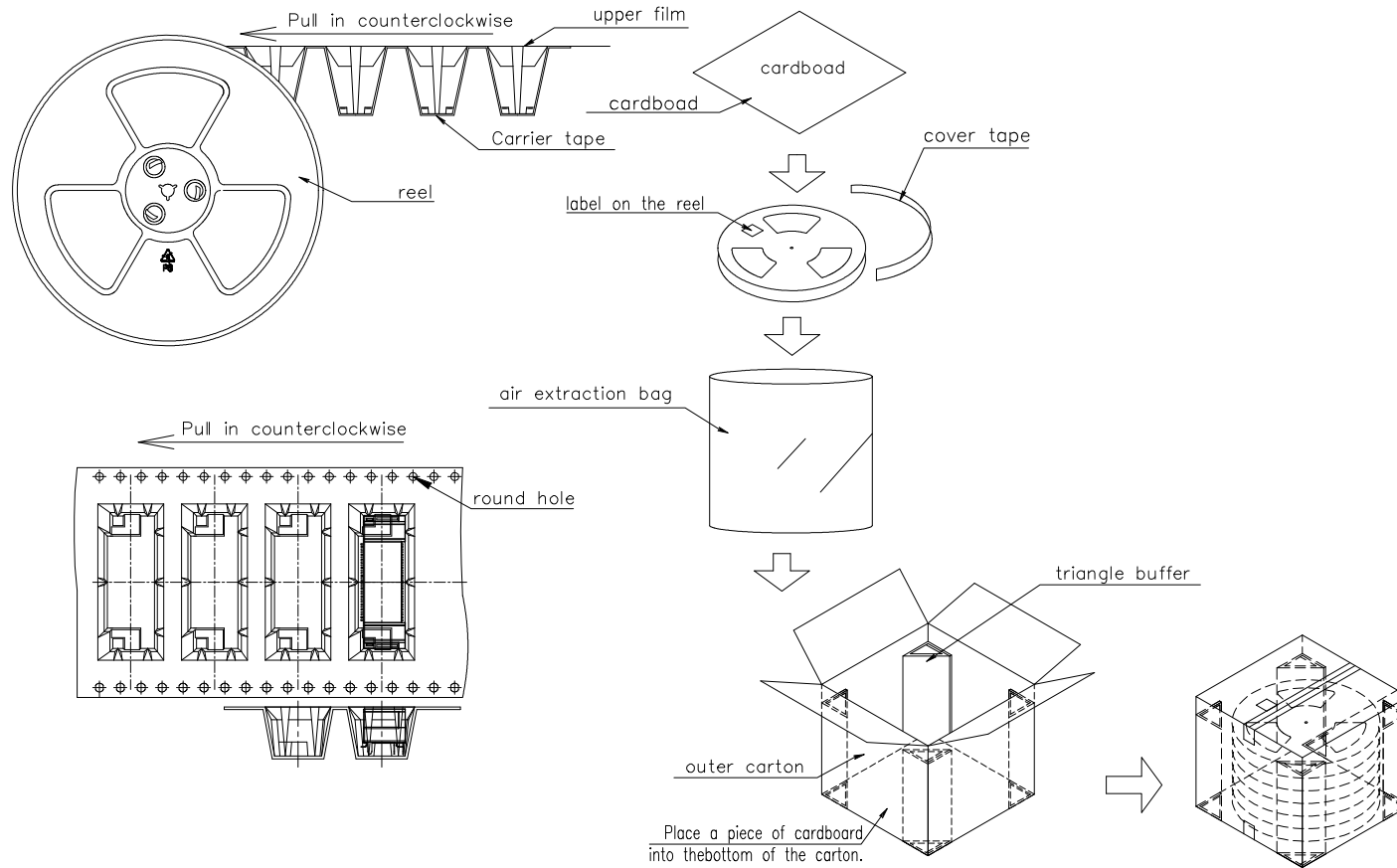
OUPIIN ELECTRONIC(KUNSHAN) CO.,LTD.

PACKAGING SPECIFICATION (包裝作業規範)

SPEC.NO.(規範編號)	2631SPP	適用產品: 2631-xxFG03DRNT	PAGE	1/1	REV.	I719A
----------------	---------	-----------------------	------	-----	------	-------

PACKING OPERATION DIAGRAM & INSTRUCTION (包裝作業圖示及說明)

REMARK (備註)



Carton: 350(mm)X350(mm)X330(mm)

Packing:
 2X30Pin:
 400 Pcs/Reel
 5 Reel/Carton
 2000 Pcs/Carton

Drawn By: Martin 11/14'23