

歐品電子(昆山)有限公司

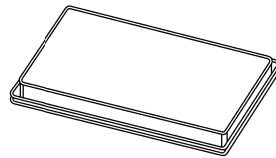
OUPIIN ELECTRONIC(KUNSHAN) CO.,LTD.

PACKAGING SPECIFICATION (包裝作業規範)

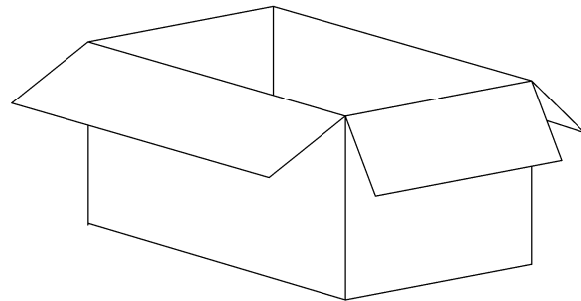
SPEC.NO.(規範編號)	8968CSPP	適用產品: 8968C-A04C00RxA	PAGE	1/1	REV.	I676
----------------	----------	-----------------------	------	-----	------	------

PACKING OPERATION DIAGRAM & INSTRUCTION (包裝作業圖示及說明)

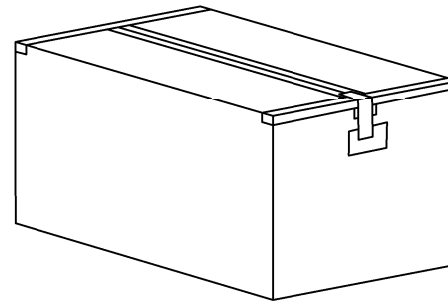
REMARK (備註)



100 pcs/Tray



Total: 50 Tray/Carton



Total: 330mmX215mmX320mm

Packing:
100 Pcs/Tray
50 Trays/Carton
5000 Pcs/Carton

Carton:
N.W.= 9 kg
G.W.= 10 kg

Drawn By: Martin 11/01'22