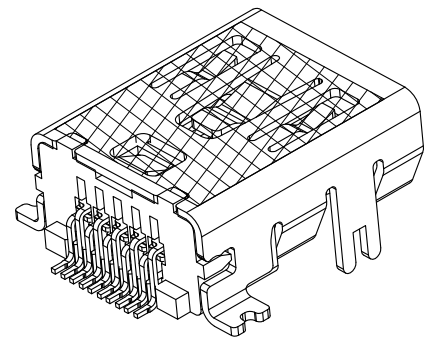
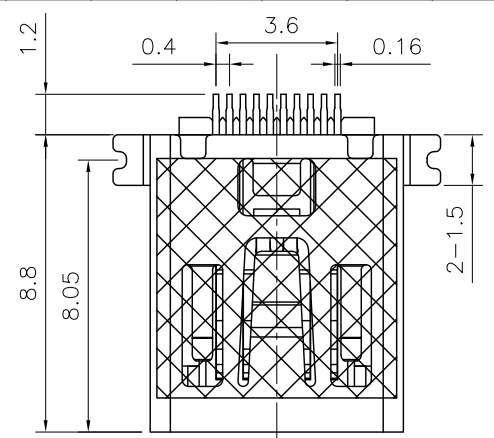
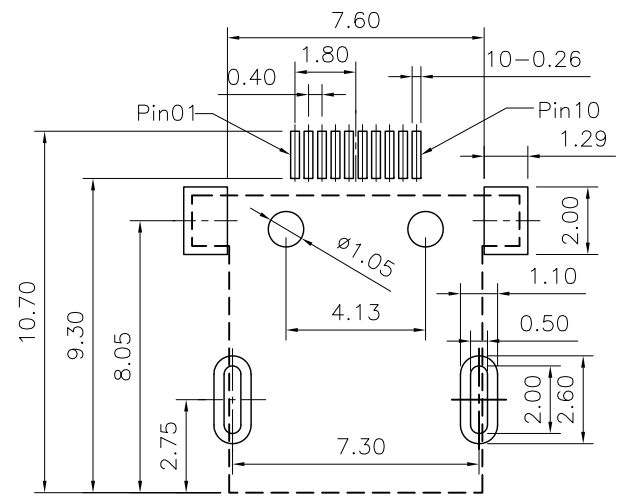
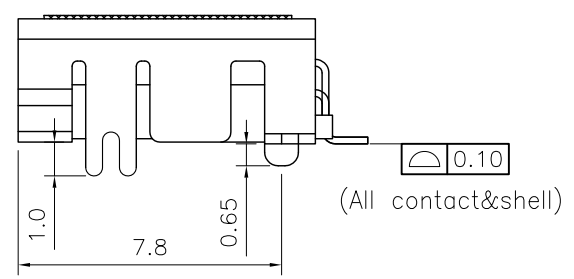
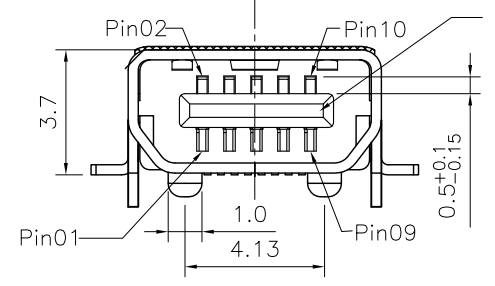


REV.	SPECIFICATION	ECN NO.	APPD.
R4		ECN110615	



Material:
Housing: High Temperature Plastic UL94V-0.
Contacts: Copper Alloy.
Shield Case: Metal.
Mylar: kapton.

Electrical Characteristics:
Current Rating: 1 AMP.
Dielectric Withstanding Voltage: AC 100V For 1 minute
Insulator Resistance: 100MΩ min. at DC 250V.
Contact Resistance: 50mΩ max. at DC 100mA.
Operating Temperature: -20°C ~ +85°C.
***RoHS Compliant**



P.C.Board Layout
(Tolerance: ±0.05)

Series **8969-AB** **10** **C** **xx** **D** **2** **B** **T** **S**

Position

C: Selective Gold Plated
G: Gold Plated

00: G/F
15: 15μ"
10: 10μ"
30: 30μ"

S: Mylar
A: Tray Package
T: Tape & Reel Package
B: Black
2: Type 2
D: Surface Mount

Tolerances	Drawn No. 8969-D0000-004	Title:		OUPIN OUPIN ELECTRONIC(KUNSHAN) CO., LTD.			
x = ±0.5	Projection	8969 Series Mini USB 10PINS					
.x = ±0.25	Unit mm	Scale 1:1		SHEET 1/1	Ver.No.	R4	
.xx = ±0.15	Drawn By WYB06/14'11						