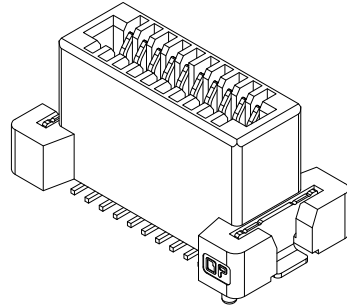
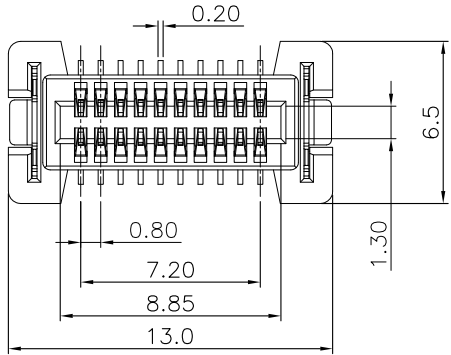


REV.	SPECIFICATION	ECN NO.	APPD.
X2			



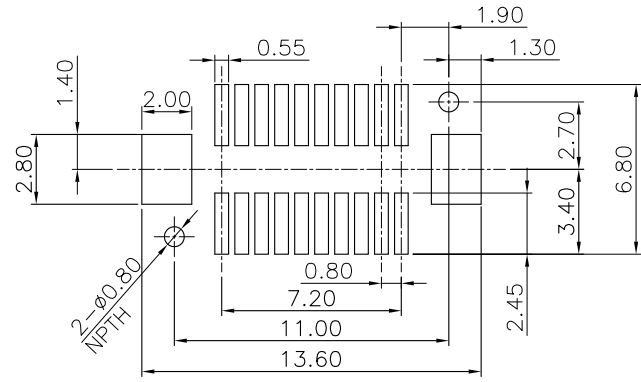
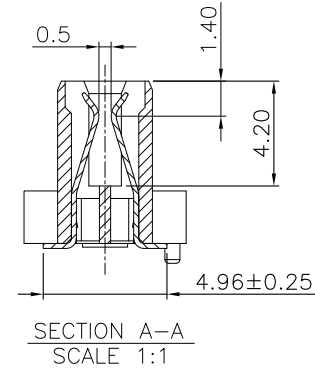
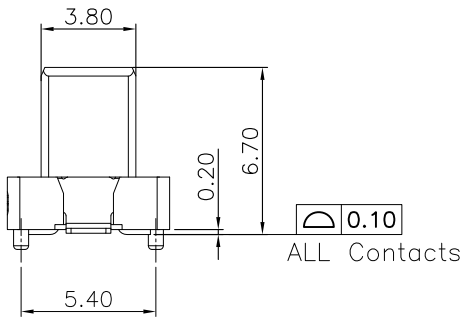
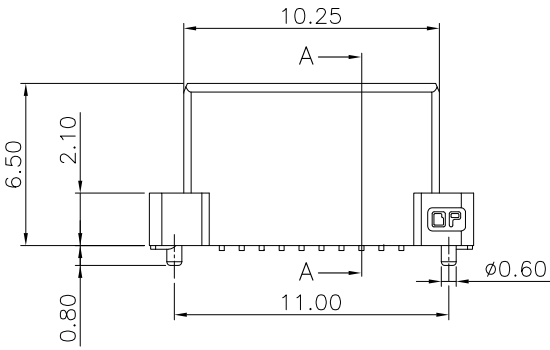
Material and Plating:

Housing: LCP, UL94V-0, BLACK.
Signal Contacts: Phosphor Bronze
 Gold plated on Contact Area and 80u" Min Tin Plated on Solder Tail over nickel 50u" Min .
Locks: Brass
 80u" Min Tin Plated over nickel 50u" Min .

Electrical Characteristics:

Current Rating: 0.5A
Dielectric Withstanding Voltage:
 AC 250V For 1 minute.
Insulator Resistance: 500MΩ min. at DC 250V.
Contact Resistance: 80mΩ max. at DC 20mA.
Operating Temperature: -40°C~+105°C.

***RoHS Compliant**



P.C. Board Layout (TOP View)
(Tolerance ±0.05)

2681 - 2 S20 B7 D T A01

Series — 2:Female Straight
 Position — S20
 B7: CB30μ"
 D : SMT Type
 T: Tape & Reel
 A01: With Post,With Lock

Tolerances	Dwg. No.	2681-DS20-002	Title:		 OUPIIN ELECTRONIC(KUNSHAN) CO., LTD. P/N: 2681-2S20B7DTA01
x = ±0.50	Projection		2681 Series B TO B Connector 0.8mm Pitch SMD Type		
.x = ±0.25 .xx = ±0.15	Unit	mm	Scale	1:1	
	Drawn By	SXH 03/12'24			SHEET
					1/1
					Ver.No.
					X2