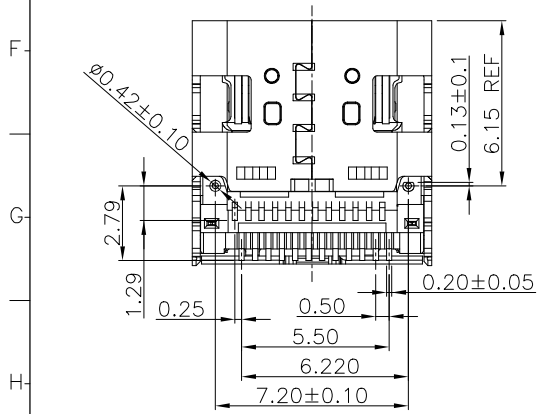
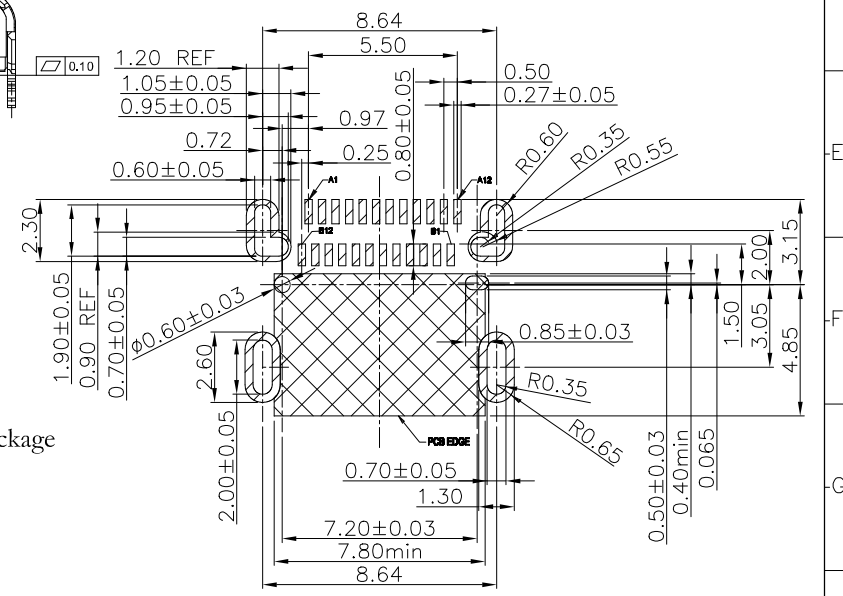
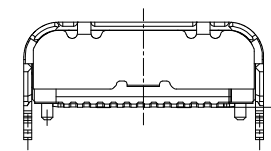
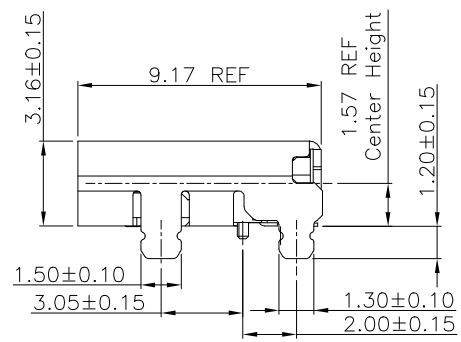
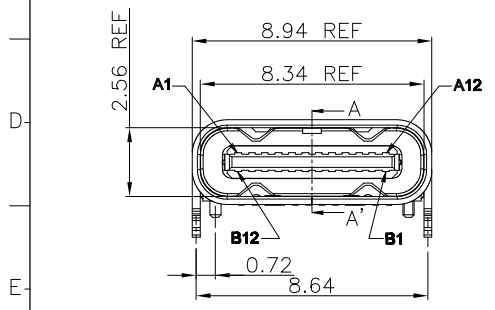
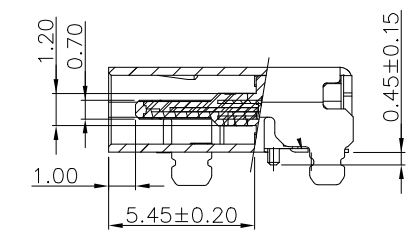
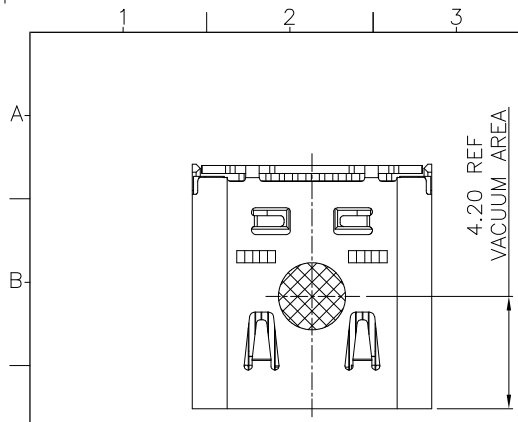


REV.	SPECIFICATION	ECN NO.	APPD.

Material:
Housing: PA9T, UL94V-0, Black.
Contacts: C1814, Gold Plated on Contact Area and Gold Flash on Solder Tail over Nickel 50u".
Mid Plated: Stainless Steel, 30u" Nickel Plated.
Shell: Stainless Steel, 30u" Nickel Plated.
Electrical Characteristics:
Current Rating: 5A for GND & Vbus Pin.
1.25A for Vconn Pin.
0.25A for other Pin.
Dielectric Withstanding Voltage: AC 100V.
Insulation Resistance: 100MΩ min.
Contact Resistance: 40mΩ max.
Operating Temperature: -40°C~+85°C.
***RoHS Compliant**

PIN ASSIGNMENT:

A1	A2	A3	A4	A5	A6	A7	A8	A9	A10	A11	A12
GND	TX1+	TX1-	Vbus	CC1	D+	D-	SBU1	Vbus	RX2-	RX2+	GND
GND	RX1+	RX1-	Vbus	SBU2	D-	D+	CC2	Vbus	TX2-	TX2+	GND
B12	B11	B10	B9	B8	B7	B6	B5	B4	B3	B2	B1



Series: 8976-C 24 G 00 D B 4 T
Positions: G: Gold Plated, 00: Gold Flash
Type: T: Tape & Reel Package, Type 4
Color: B: Black
Type: D: SMD Type

Recommend P.C.B Layout

Tolerances	Dwg. No.	S1820231107-02	Title:		8976-C Series			
.x = ±0.25	Projection		Unit		mm			
.xx = ±0.20	Unit	mm	Scale	1:N				
.xxx = ±0.05	Drawn By	Martin 03/12'24	Title:		USB 4 Gen3 Type C, 40Gbps			
			Title:		SMD Type			
			Title:		SHEET 1/1 Ver.No. X2			

OUPIIN
OUPIIN ELECTRONIC(KUNSHAN) CO., LTD.
P/N: 8976-C24G00DB4T