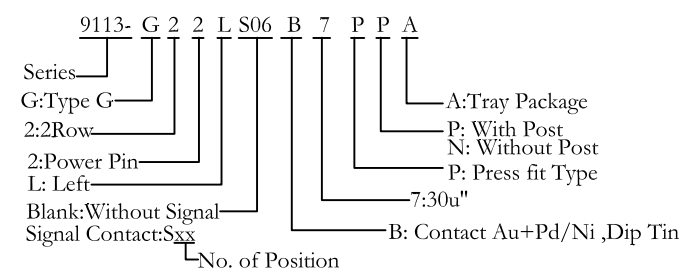
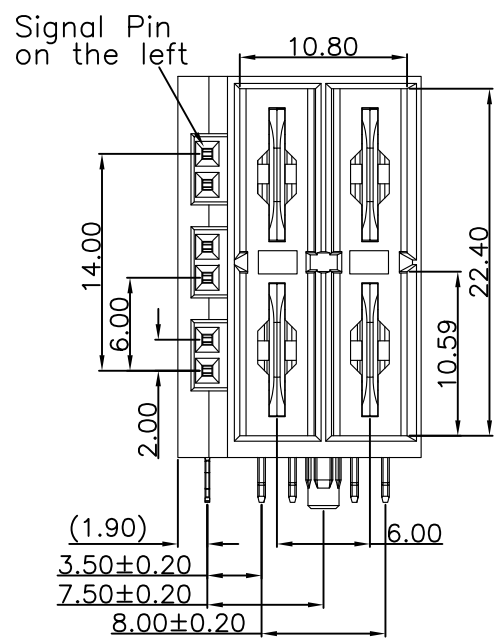
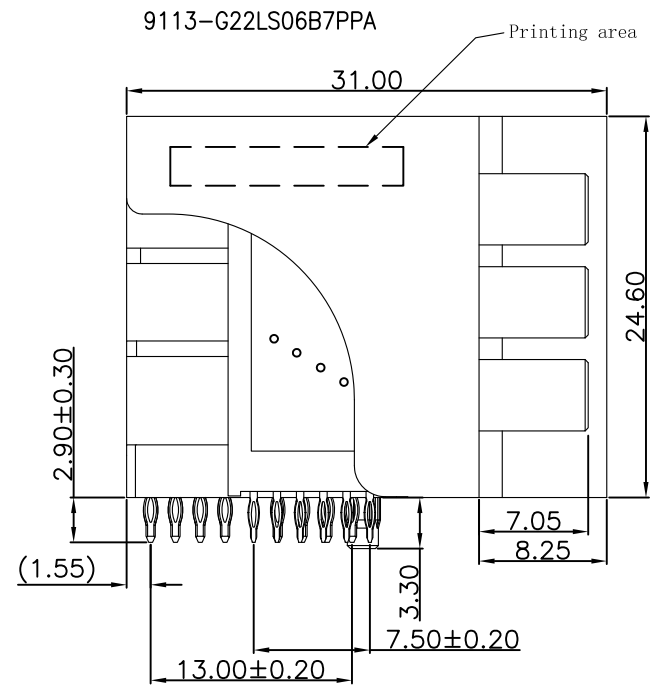
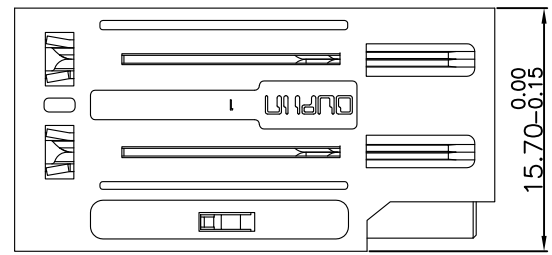
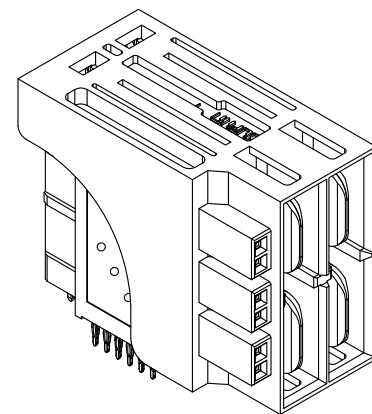


REV.	SPECIFICATION	ECN NO.	APPD.
R2		ECN201144	

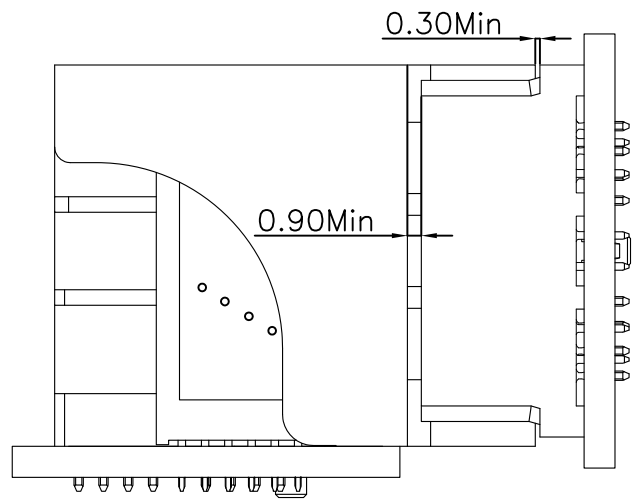
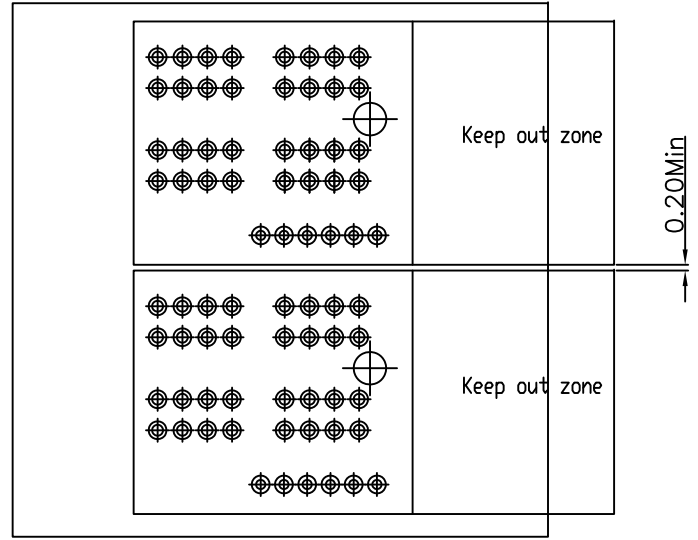
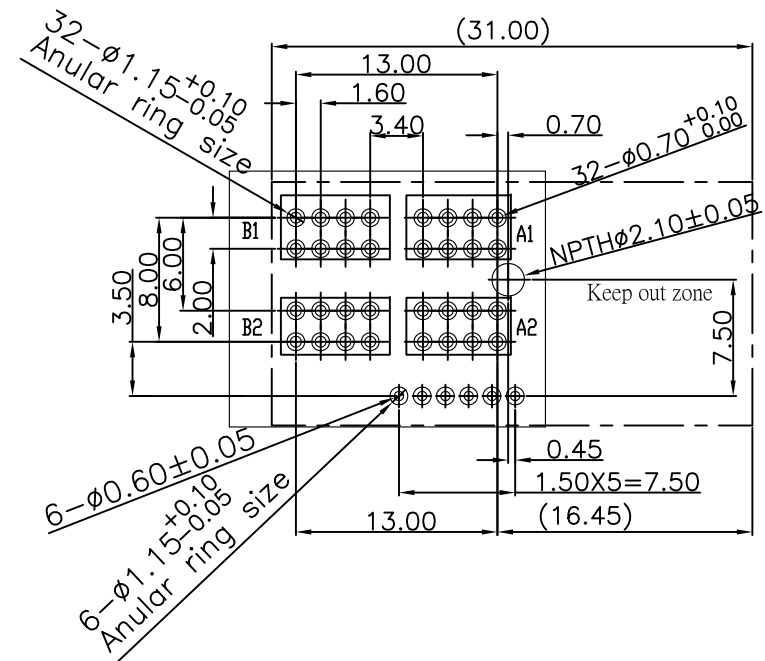
**Material and Plating:**  
**Housing:** LCP, UL94V-0, BLACK.  
**Power Contacts:** High Conductivity Copper.  
 30u" Au+Pd/Ni on Contact Area and 80u" Min Tin Plated on Solder Tail over nickel 50u" Min.  
**Signal Contacts:** Phosphor Bronze.  
 30u" Au+Pd/Ni on Contact Area and 80u" Min Tin Plated on Solder Tail over nickel 50u" Min.

**Electrical Characteristics:**  
**Current Rating:** Power: 35 AMP (2oz\*2); 45 AMP (2oz\*4)  
 Signal: 1 AMP.  
**Dielectric Withstanding Voltage:**  
 Power: AC 1500V For 1 minute.  
 Signal: AC 750V For 1 minute.  
**Insulator Resistance:**  
 Power: 1500MΩ min. at DC 500V.  
 Signal: 1000MΩ min. at DC 500V.  
**Contact Resistance:** Power: 0.5mΩ max.  
 Signal: 30mΩ max.  
**Operating Temperature:** -55°C ~ +125°C.  
**\*RoHS Compliant**



Tolerances	Dwg.No.	9113-D0000-027	Title:	<b>OUPIIN</b> OUPIIN ELECTRONIC(KUNSHAN) CO., LTD. P/N: 9113-G22LS06B7PPA	
X=±0.50	Projection		9113 Series		
.X=±0.25	Unit	mm	Scale		male Power + Signal Connect
.XX=±0.15	Drawn By	WQ	11/26'20		SHEET 1/2 Ver.No. R2

REV.	SPECIFICATION	ECN NO.	APPD.
R2		ECN201144	



Tolerances	Dwg.No.	9113-D0000-027	Title:	<b>9113 Series</b> male Power + Signal Connect	<b>OUPIN</b> OUPIN ELECTRONIC(KUNSHAN) CO., LTD.
x= ±0.50	Projection				
.X= ±0.25	Unit	mm	Scale	1:1	P/N: 9113-G22LS06B7PPA
.XX= ±0.15	Drawn By	WQ	11/26'20		SHEET 2/2
					Ver.No. R2