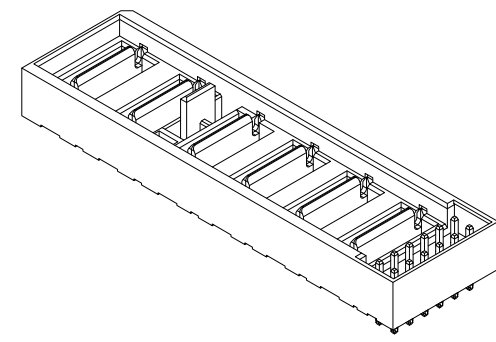
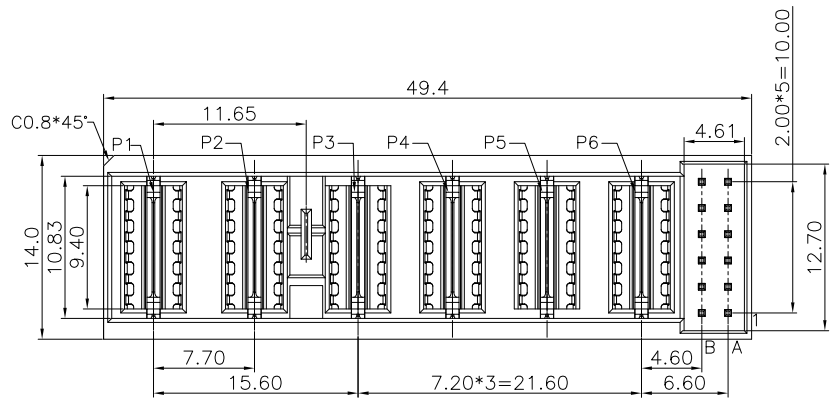


| | | | |
|------|---------------|-----------|-------|
| REV. | SPECIFICATION | ECN NO. | APPD. |
| R2 | | ECN171133 | |



Material and Plating:
Housing: LCP, UL94V-0, BLACK.
Power Contacts: High Conductivity Copper.
 30u" Au+Pd/Ni on Contact Area and 80u" Min Tin Plated on Press Fit over nickel 50u" Min.
Signal Contacts: Brass
 30u" Au+Pd/Ni on Contact Area and 80u" Min Tin Plated on Press Fit over nickel 50u" Min.

Electrical Characteristics:
Current Rating: Power: 60 AMP (2oz*4)
 Signal: 1 AMP.
Dielectric Withstanding Voltage:
 Power: AC 1500V For 1 minute.
 Signal: AC 750V For 1 minute.

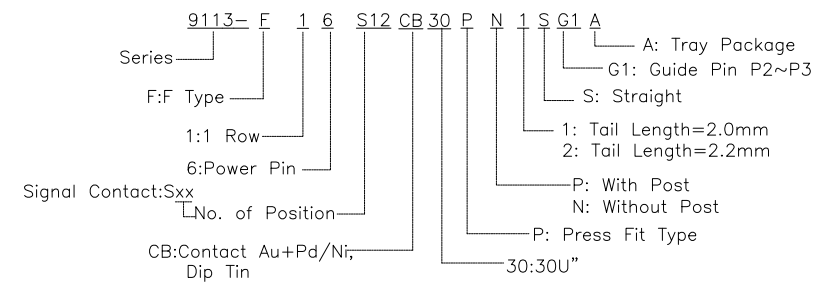
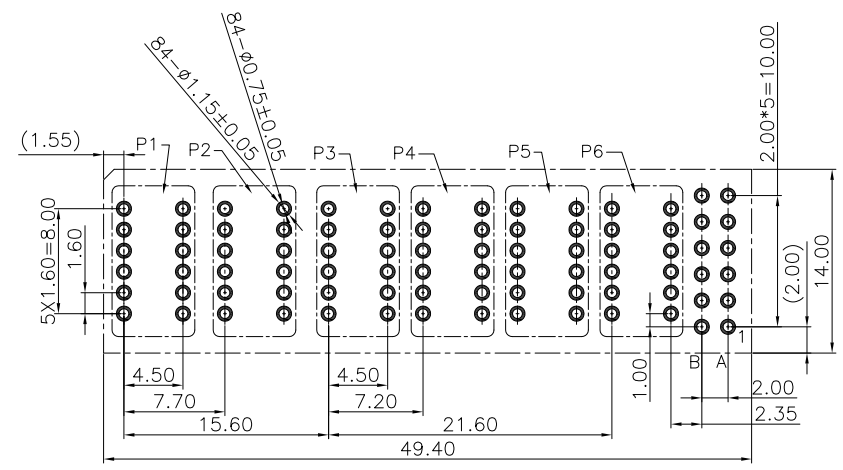
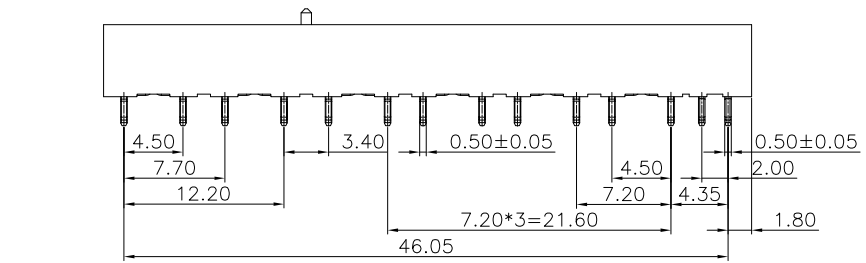
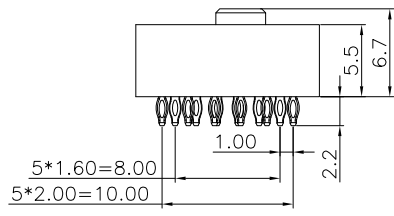
Insulator Resistance:
 Power: 1500MΩ min. at DC 500V.
 Signal: 100MΩ min. at DC 500V.

Contact Resistance: Power: 0.5mΩ max.
 Signal: 30mΩ max.

Operating Temperature: -55°C ~ +125°C.
***RoHS Compliant**

Mating force: Power pin: 17.5N/Pair pin Max
 Signal pin: 3N/PIN Max

Un-mating force: Power pin: 2.5N/Pair pin Min
 Signal pin: 0.15N/PIN Min



| | | | | | | | | | |
|-------------|------------|----------------|--------|-----|-------------|---|---------|----|--|
| Tolerances | Dwg NO. | 9113-D0000-029 | Title: | | 9113 Series | OUPIIN ELECTRONIC(KUNSHAN) CO., LTD. P/N: 9113-F16S12CB30PN1SG1A | | | |
| x = ±0.50 | Projection | | | | | | | | |
| .x = ±0.25 | Unit | mm | Scale | 1:1 | SHEET | 1/1 | Ver.No. | R2 | |
| .xx = ±0.15 | Drawn By | CXP 03/24'18 | | | | | | | |