

REV.	SPECIFICATION	ECN NO.	APPD.
R11		ECN230636	

**Material and Plating:**

Housing: LCP, UL94V-0, Black.  
 Cover: LCP, UL94V-0, Black.  
 Power Contacts: High Conductivity Copper.  
 30u"Au+Pd/Ni on Contact Area and 80u" Min Matte Tin Plated on Solder Tail over nickel 50u" Min .  
 Signal Contacts : Phosphor Bronze.  
 30u"Au+Pd/Ni on Contact Area and 80u" Min Matte Tin Plated on Solder Tail over nickel 50u" Min .

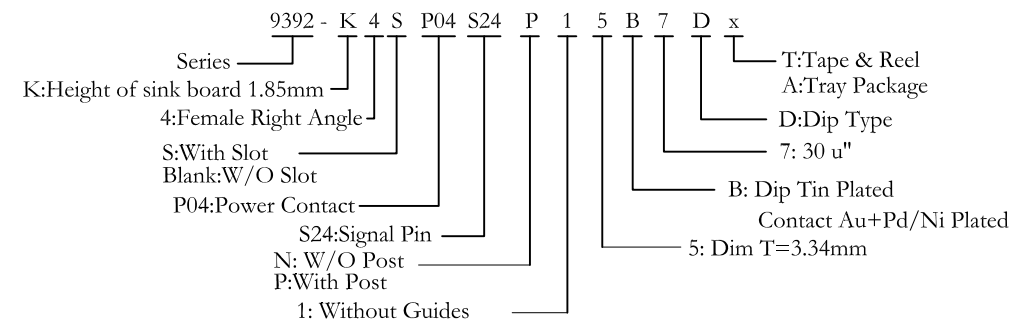
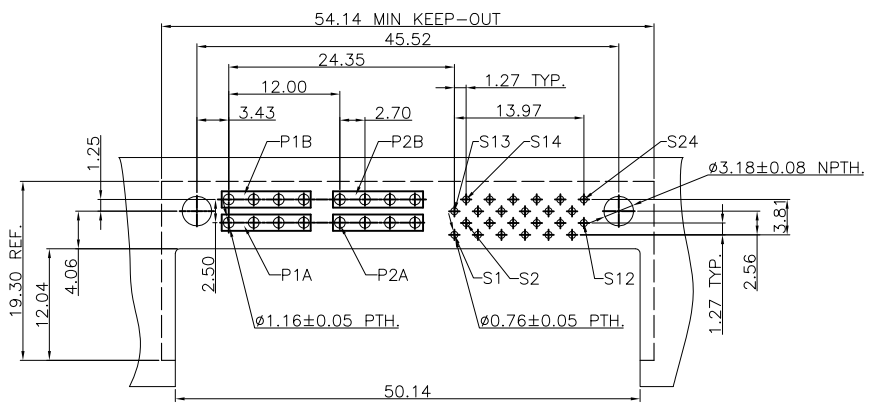
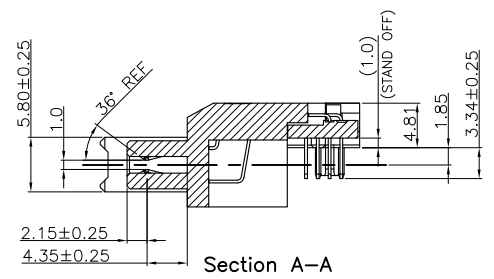
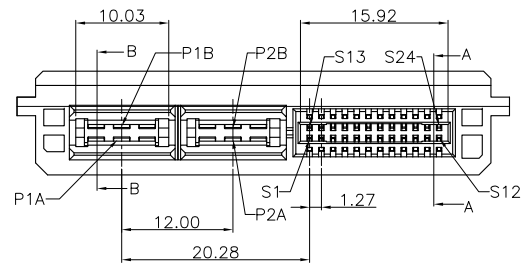
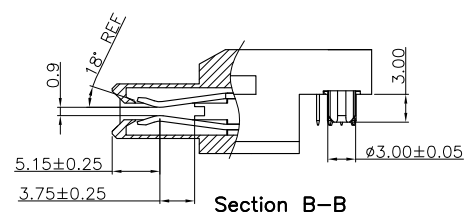
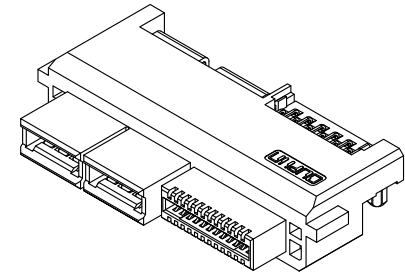
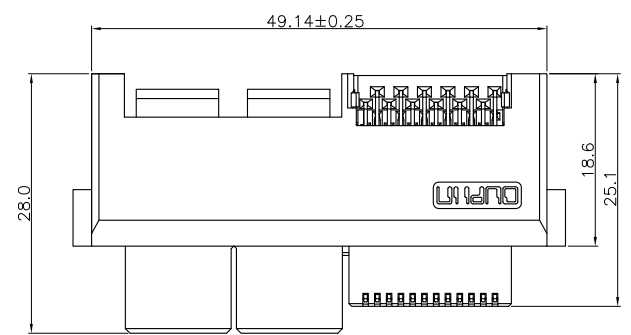
**Electrical Characteristics:**

Current Rating: Signal Pin 1.0 A.  
 Power Pin 60 A. (UL)  
 Rating Voltage: Power Pin 250 VAC/DC.  
 Signal Pin 30 VDC.  
 Insulator Resistance: 5000MΩ min. at DC 500V.  
 Dielectric Withstanding Voltage:  
 Signal Pin DC 1100V For 1 minute.  
 Power Pin DC 1500V For 1 minute.  
 Contact Resistance: Signal Pin 40mΩ max. at DC 20mA.  
 Power Pin 5mΩ max. at DC 20mA.  
 Operating Temperature: -40°C ~+105°C .

**\*RoHS Compliant**

Notes:

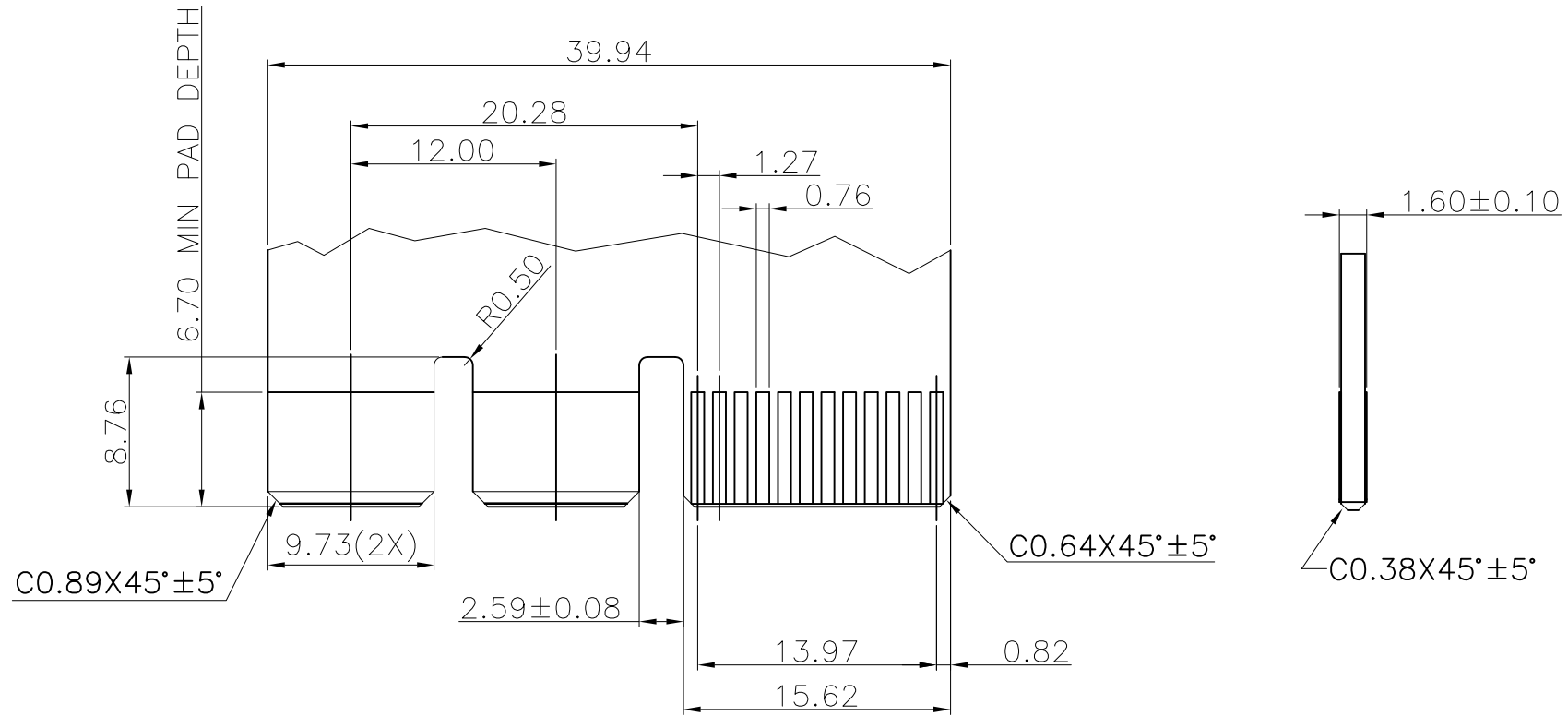
1.IR Reflow & PIP Profile:260°C±5°C,10s&217°C,60~150s




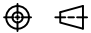
P.C. Board Layout  
(Tolerance:±0.05)

Tolerances	Dwg. No.	9392-D0000-021	Title:	<b>9392 Series</b> Low Profile Hybrid Power Receptacle	 <b>OUPIN ELECTRONIC(KUNSHAN) CO., LTD.</b> P/N: 9392-K4SP04S24P15B7Dx		
x = ±0.5	Projection		SHEET 1/2 Ver.No. R11				
.x = ±0.25	Unit	mm				Scale	1:1
.xx = ±0.15	Drawn By	JCQ 06/27'23					

REV.	SPECIFICATION	ECN NO.	APPD.
R11		ECN230636	



Recommended Edge Card Layout  
(Tolerance:±0.05)

Tolerances	Dwg. No.	9392-0000-021	Title:		 <b>OUPIIN ELECTRONIC(KUNSHAN) CO., LTD.</b> P/N:9392-K4SP04S24P15B7Dx			
x = ±0.5	Projection		9392 Series					
.x = ±0.25	Unit	mm	Scale	1:1	Low Profile Hybrid			
.xx = ±0.15	Drawn By	JCA 06/27'23			Power Receptacle			
					SHEET	2/2	Ver.No.	R11