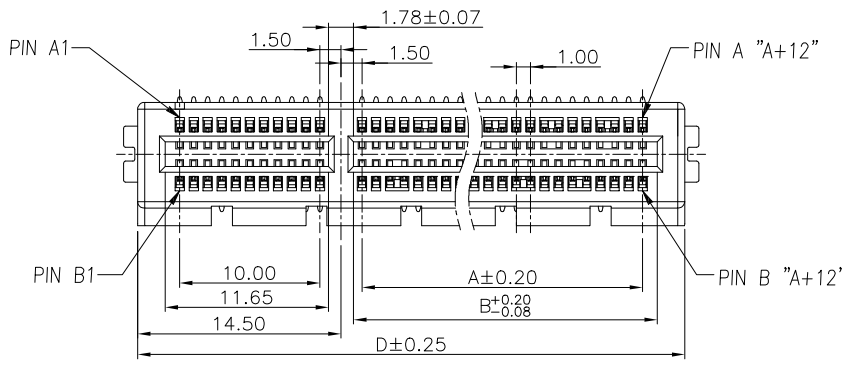
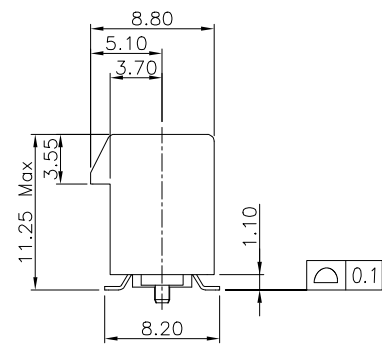
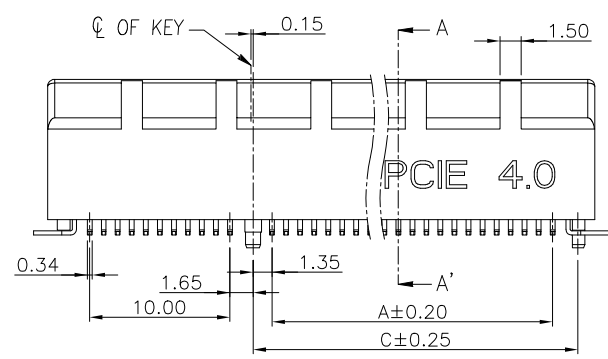


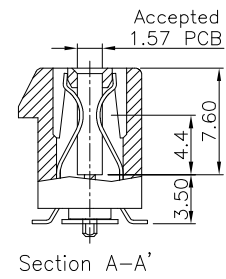
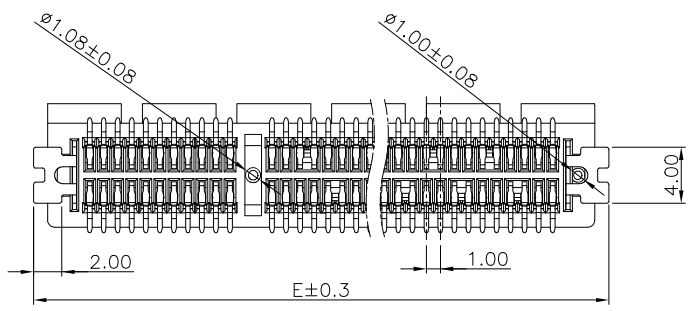
REV.	SPECIFICATION	ECN NO.	APPD.



Material:
Housing: PA9T, UL94V-0, Black.
Contacts: Phosphor Bronze, Gold Plated on Contact Area and 100" Matte Tin Plated on Solder Tail over Nickel Plated 50u".
Hold down: Brass, 100u" Matte Tin Plated over Nickel 50u".
Plastic Pad: LCP, UL94V-0, Black.
Electrical Characteristics:
Current Rating: 1.1A.
Dielectric Withstanding Voltage: AC 500V.
Insulation Resistance: 1000MΩ min.
Contact Resistance: 30mΩ max.
Operating Temperature: -40°C~+85°C.
***RoHS Compliant**



Series: 8406-C xx C xx D P T -P -G4
 Positions: Gen4
 C: Selective Gold Plated
 00: Gold Flash
 15: 15u"
 30: 30u"
 D: SMD Type
 P: Plastic Pad
 S: Mylar
 Blank: W/O Pad & Mylar
 T: Tape & Reel Package
 A: Tray Package
 P: With Post



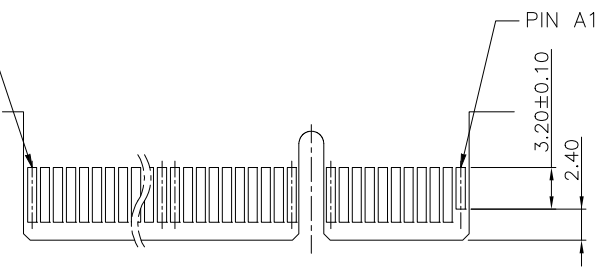
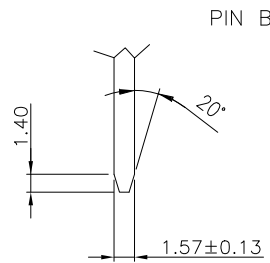
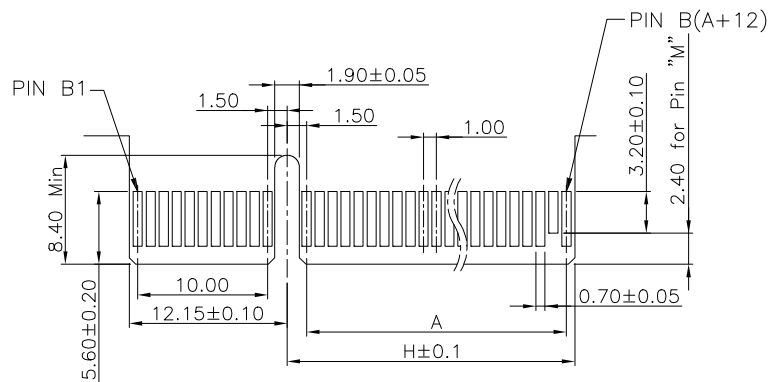
DIMENSIONS					
POSITION	A	B	C	D	E
36	6	7.65	9.15	25	27
64	20	21.65	23.15	39	41
98	37	38.65	40.15	56	58
164	70	71.65	73.15	89	91

Tolerances	Dwg. No.	S2620230605-02	
x. = ±0.40	Projection	⊕ ⊖	
.x = ±0.30	Unit	mm	Scale 1:N
.xx = ±0.20	Drawn By	Martin 06/05'23	
.xxx = ±0.10		① 716	

Title: 8406-C Series
 PCI Express GEN4 1.0mm
 SMD Type With Latch

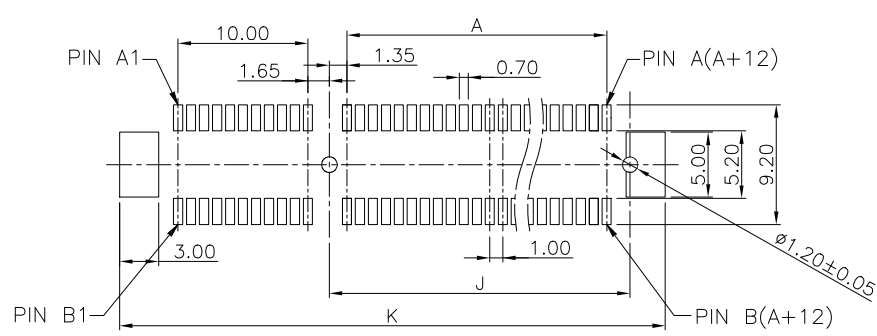
OUPIIN
 OUPIIN ELECTRONIC(KUNSHAN) CO., LTD.
 P/N: 8406-CxxCxxDPT-P-G4
 SHEET 1/3 Ver.No. X1

REV.	SPECIFICATION	ECN NO.	APPD.

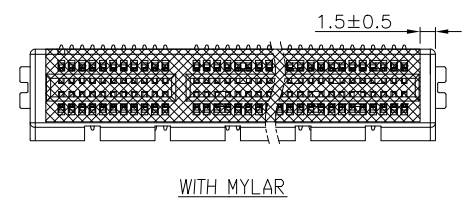
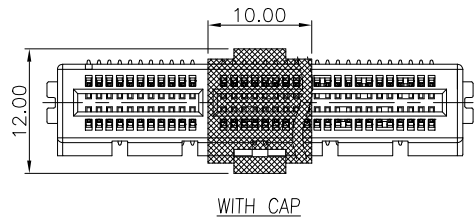


← I/O PANEL DIRECTION
PRIMARY (COMPONENT) SIDE

NOTES:
CHAMFER EDGE MUST BE FREE OF CUTTING BURRS SECONDARY (SOLDER) SIDE



RECOMMENDED PCB LAYOUT
TOLERANCE: ±0.05



DIMENSIONS					
POSITION	A	H	J	K	"M"
36	6	8.15	9.15	28.0	B17
64	20	22.15	23.15	42.0	B31
98	37	39.15	40.15	59.0	B48
164	70	72.15	73.15	92.0	B81

Tolerances	Dwg. No.	S2620230605-02		Title:	
x. = ±0.40	Projection	⊕ ↗		8406-C Series	
.x = ±0.30	Unit	mm	Scale	PCI Express GEN4 1.0mm	
.xx = ±0.20	Drawn By	Martin	1:N	SMD Type With Latch	
.xxx = ±0.10		06/05'23		① 716	

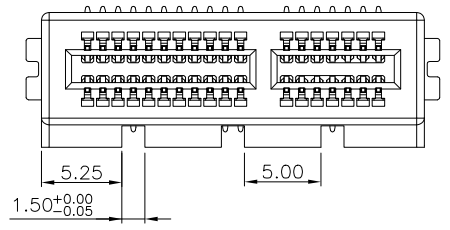
8406-C Series
PCI Express GEN4 1.0mm
SMD Type With Latch

OUPIIN
OUPIIN ELECTRONIC(KUNSHAN) CO., LTD.
P/N: 8406-CxxCxxDPT-P-G4

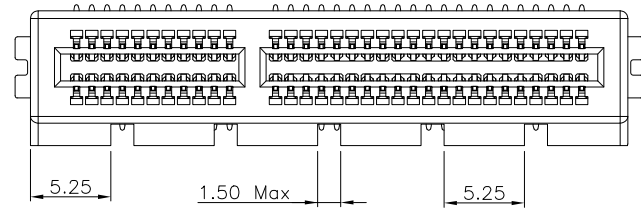
SHEET	2/3	Ver.No.	X1
-------	-----	---------	----

REV.	SPECIFICATION	ECN NO.	APPD.

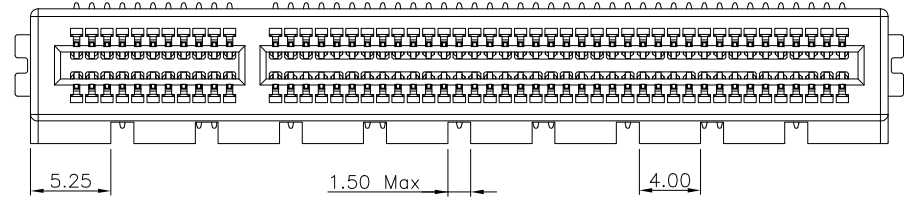
36 Pos.



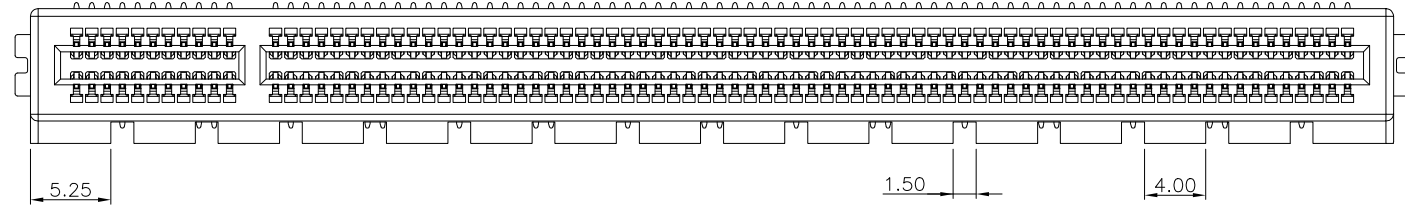
64 Pos.



98 Pos.



164 Pos.



Tolerances .x = ±0.40 .x = ±0.30 .xx = ±0.20 .xxx = ±0.10	Dwg. No.	S2620230605-02		Title:	8406-C Series			
	Projection				PCI Express GEN4 1.0mm			
	Unit	mm	Scale	1:N	SMD Type With Latch			
	Drawn By	Martin 06/05'23		① 716	SHEET	3/3	Ver.No.	X1



OUPIIN ELECTRONIC(KUNSHAN) CO., LTD.
P/N: 8406-CxxCxxDPT-P-G4