

| | | | |
|------|---------------|-----------|-------|
| REV. | SPECIFICATION | ECN NO. | APPD. |
| R3 | | ECN201247 | |

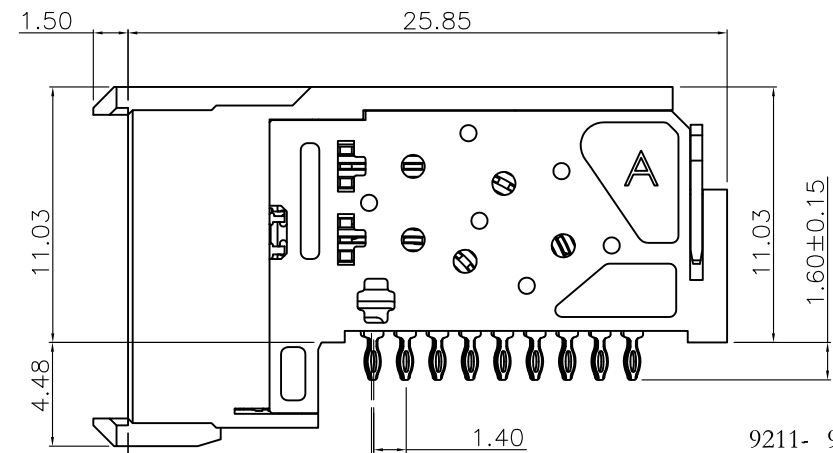
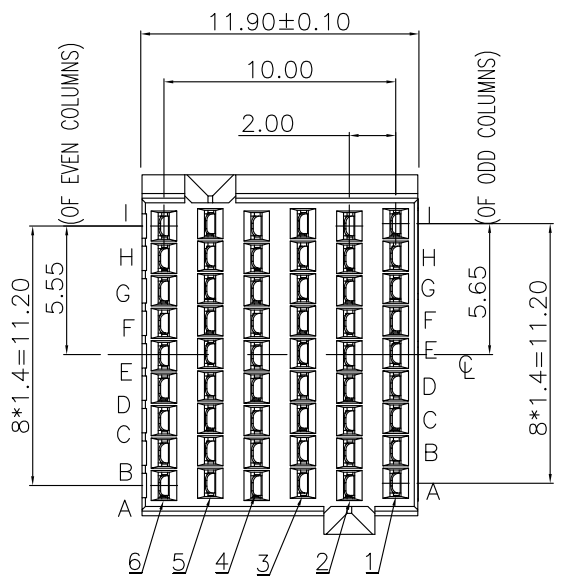
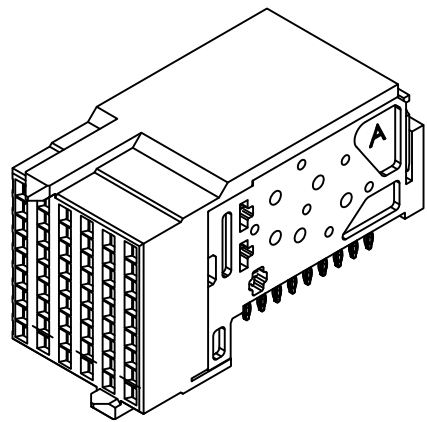
Material and Plating:

Housing: LCP, UL94V-0, White.
Molding: LCP, UL94V-0, Black.
Signal Contacts: Phosphor Bronze.
30u" Au+Pd/Ni on Contact Area and 80u" Tin Plated on Press Fit over Nickel 50u" .
Fastener: SUS.

Electrical Characteristics:

Current Rating: 0.5Amps/Contact with all contacts powered
Dielectric Withstanding Voltage: Sig-Sig, Sig-Grd AC 500V For 1minute.
Grd-Grd AC 200V For 1 minute
Insulator Resistance: 1000MΩ min, Sig-Sig, Sig-Grd at DC 500V,
Grd-Grd at DC 200V
Contact Resistance: 60mΩ max. at DC 100mA.
Operating Temperature: -55°C~+85°C.

***RoHS Compliant**



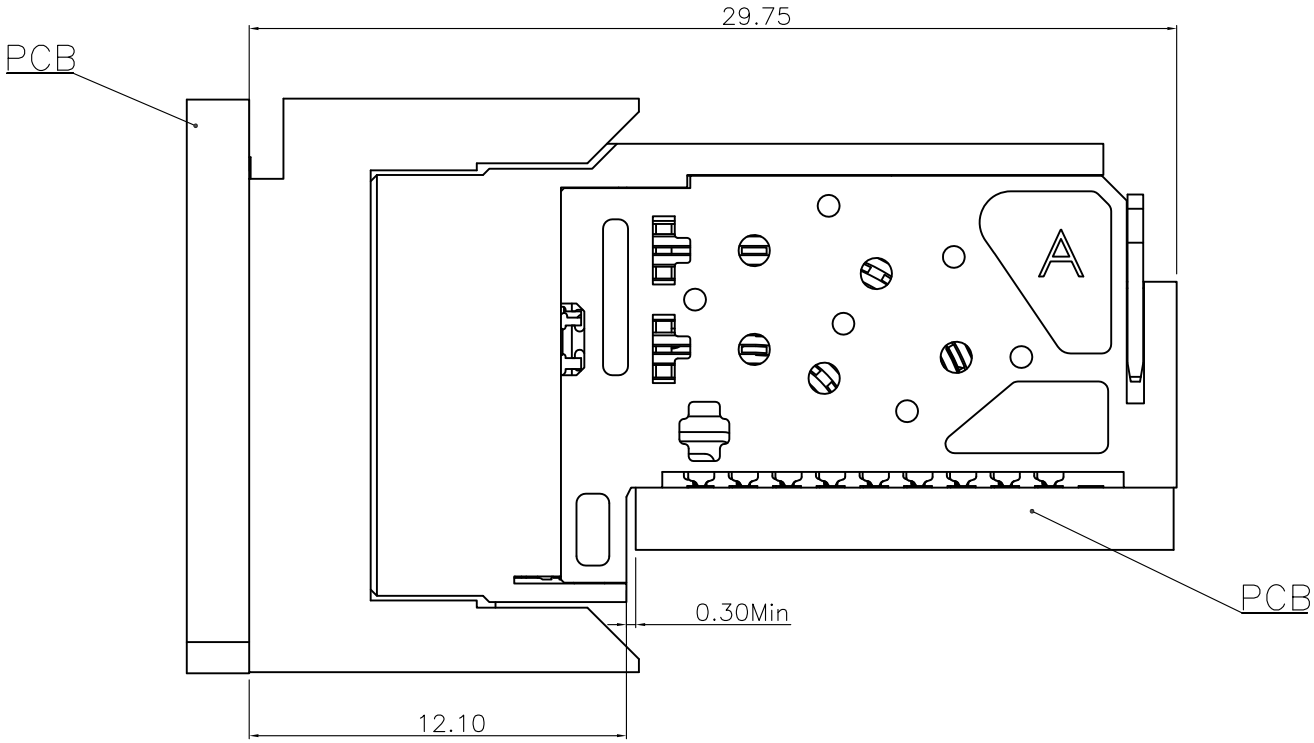
9211- 9 4 54 A 1 CB 30 P U
Series
9: 9Rows(3Pair)
4: Female Right-angel
9Rows 6Column 54Position
A:Signal and Ground
(Plate Hole ϕ 0.50mm)
1: Dip Length(1.60mm)
U: Tube Package
P: Press Fit Type
30: 30 μ "
CB:Contact Au+Pd/Ni,Dip Tin

| | | | |
|------------|------------|----------------|--------------------------------|
| Tolerances | Dwg.No. | 9211-D0000-002 | Title: |
| X=±0.5 | Projection | | 9211 Series Rapid Connector |
| .X=±0.25 | Unit | mm | |
| .XX=±0.15 | Scale | 1:1 | |
| | Drawn By | WP 12/30'20 | |

| | | | |
|-----------------|--|--|--|
| Title: | | | |
| 9211 Series | | | |
| Rapid Connector | | | |

| | | | |
|-------------------------------------|-----|---------|----|
| OUPIN | | | |
| OUPIN ELECTRONIC(KUNSHAN) CO., LTD. | | | |
| P/N: 9211-9454A1CB30PU | | | |
| SHEET | 1/3 | Ver.No. | R3 |

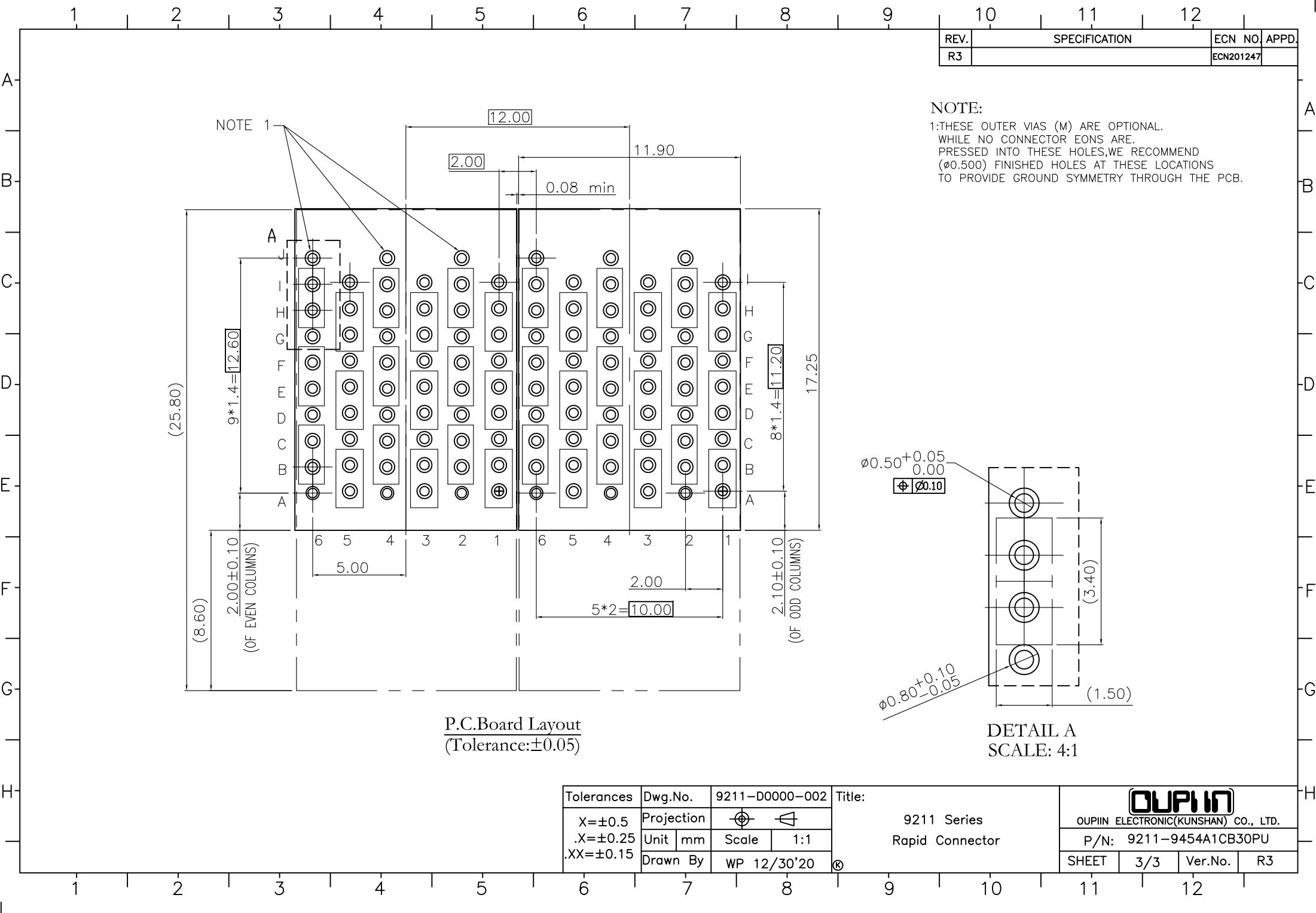
| | | | |
|------|---------------|-----------|-------|
| REV. | SPECIFICATION | ECN NO. | APPD. |
| R3 | | ECN201247 | |



| | | | | |
|------------|------------|----------------|-----------|--------------------------------|
| Tolerances | Dwg.No. | 9211-D0000-002 | | Title: |
| X=±0.5 | Projection | | | 9211 Series Rapid Connector |
| .X=±0.25 | Unit | mm | Scale 1:1 | |
| .XX=±0.15 | Drawn By | WP 12/30'20 | | |

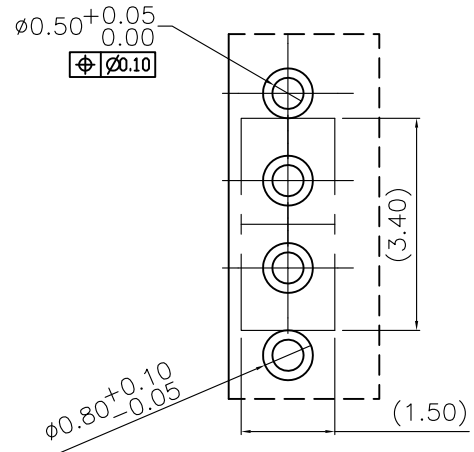
| | | | |
|--------------------------------------|-----|---------|----|
| | | | |
| OUPIIN ELECTRONIC(KUNSHAN) CO., LTD. | | | |
| P/N: 9211-9454A1CB30PU | | | |
| SHEET | 2/3 | Ver.No. | R3 |

| | | | |
|------|---------------|-----------|-------|
| REV. | SPECIFICATION | ECN NO. | APPD. |
| R3 | | ECN201247 | |



NOTE:
 1: THESE OUTER VIAS (M) ARE OPTIONAL.
 WHILE NO CONNECTOR EONS ARE.
 PRESSED INTO THESE HOLES, WE RECOMMEND
 (Ø0.500) FINISHED HOLES AT THESE LOCATIONS
 TO PROVIDE GROUND SYMMETRY THROUGH THE PCB.

P.C.Board Layout
 (Tolerance: ±0.05)



DETAIL A
 SCALE: 4:1

| | | | | | | | | | |
|------------|------------|----------------|--------|-----|--|--|-----|---------|----|
| Tolerances | Dwg.No. | 9211-D0000-002 | Title: | | 9211 Series Rapid Connector | OUPIIN ELECTRONIC(KUNSHAN) CO., LTD. | | | |
| X=±0.5 | Projection | | | | | P/N: 9211-9454A1CB30PU | | | |
| .X=±0.25 | Unit | mm | Scale | 1:1 | | SHEET | 3/3 | Ver.No. | R3 |
| .XX=±0.15 | Drawn By | WP 12/30'20 | | | | | | | |