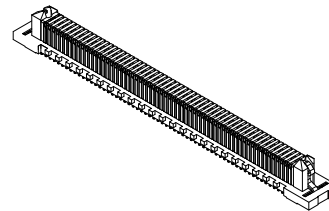
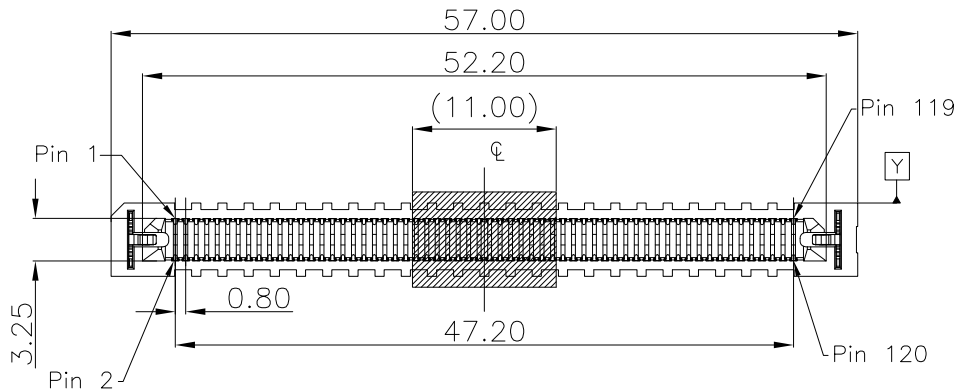


REV.	SPECIFICATION	ECN NO.	APPD.
R2		ECN230234	



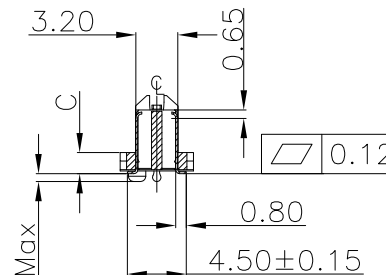
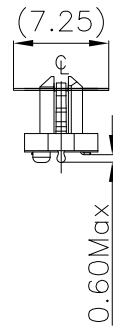
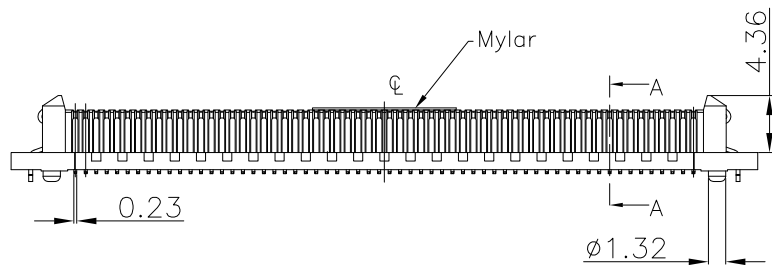
Material and Plating:

Housing: LCP, UL94V-0, BLACK.
Contacts: Brass.
 Gold Plated on Contact Area and 80u" Min Tin Plated on Solder Tail over Nickel 50u" Min.
Lock: Phosphor Bronze.
 80u" Min Tin Plated over Nickel 50u" Min.

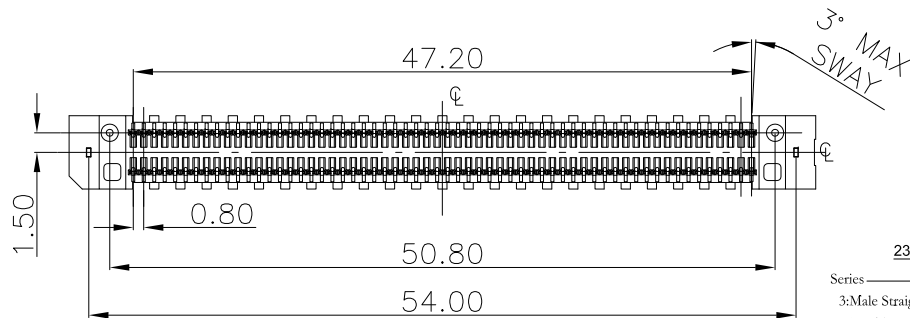
Electrical Characteristics:

Current Rating: 1.5 AMP Per Contact With 1 Contact.
Voltage Rating: 300V AC.
Dielectric Withstanding Voltage: AC 500V For 1 Minute.
Insulator Resistance: 50000 MΩ Min.
Contact Resistance: 25mΩ max.
Operating Temperature: -55°C ~ +125°C.

***RoHS Compliant**



Section A-A



2386- 3 2 X 60 C 3 D 1 L T -S

Series: 3: Male Straight
 Double Row
 Position Per Row
 C: Selective Gold Plated
 3: 10µ"
 7: 30µ"
 D: SMD Type

S: Mylar
 Blank: Without Mylar
 T: Tape&Reel Package
 L: With lock

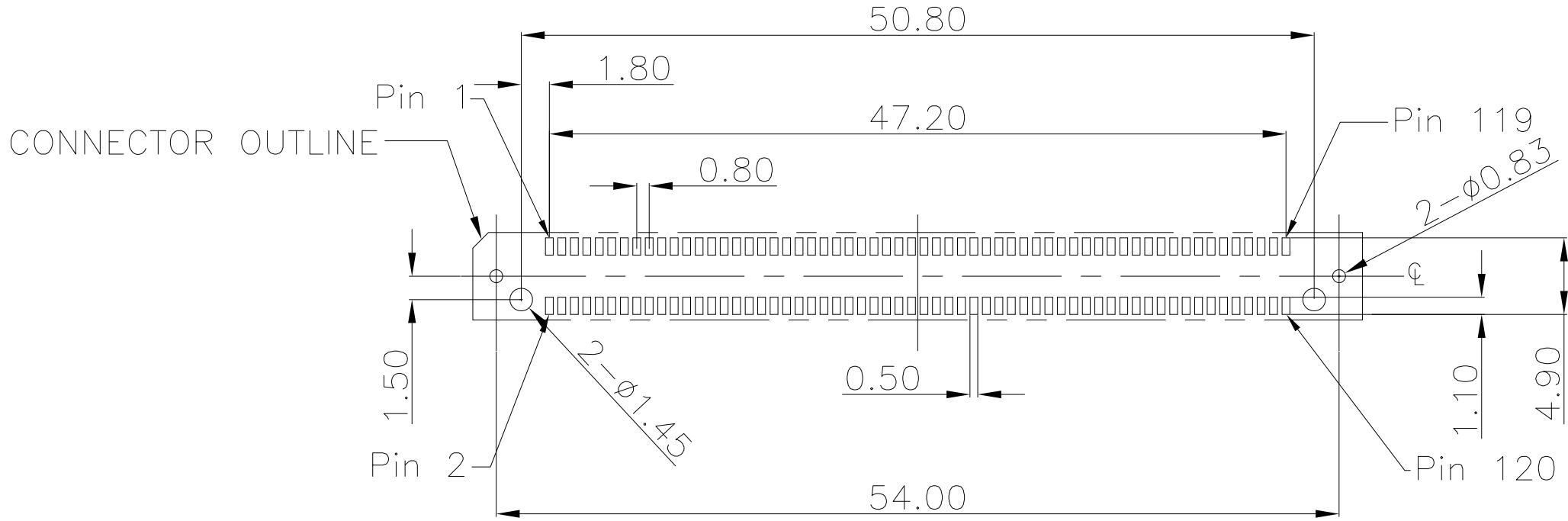
1: Code1
 2: Code2
 3: Code3
 4: Code4

***Available Code																		
Code	*1	2	3	4														
Height C	1.605	4.605	7.605	8.605														
Stacked Height D	*7.0	9.0	11.0	12.0	10.0	12.0	14.0	15.0	13.0	15.0	17.0	18.0	14.0	16.0	18.0	19.0		


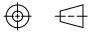
Tolerances	Dwg. No.	2386-D0000-007	Title:	
x = ±0.5	Projection		2386 Series	
.x = ±0.25	Unit	mm	Scale	1:1
.xx = ±0.15	Drawn By	WP 02/17'23	Male Straight	

OUPIN			
OUPIN ELECTRONIC(KUNSHAN) CO., LTD.			
P/N: 2386-32X60C3D1LT-S			
SHEET	1/2	Ver.No.	R2

REV.	SPECIFICATION	ECN NO.	APPD.
R2		ECN230234	



Recommended PCB Layout
(Tolerance : \pm 0.05)

Tolerances x = \pm 0.5 .x = \pm 0.25 .xx = \pm 0.15	Dwg. No.	2386-D0000-007		Title: 2386 Series Male Straight	 OUPIIN ELECTRONIC(KUNSHAN) CO., LTD.				
	Projection				P/N: 2386-32X60C3D1LT-S				
	Unit	<i>mm</i>	Scale		1:1	SHEET 2/2 Ver.No. R2			
	Drawn By	WP 02/17'23							