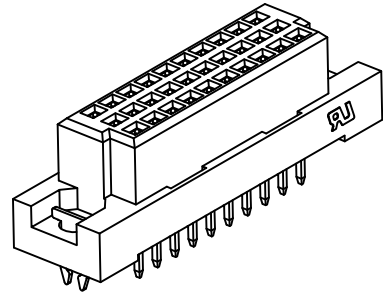
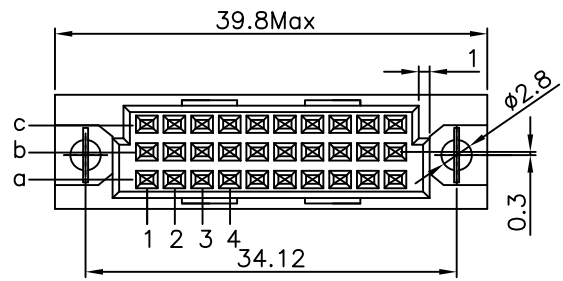


REV.	SPECIFICATION	ECN NO.	APPD.
R2		ECN191247	



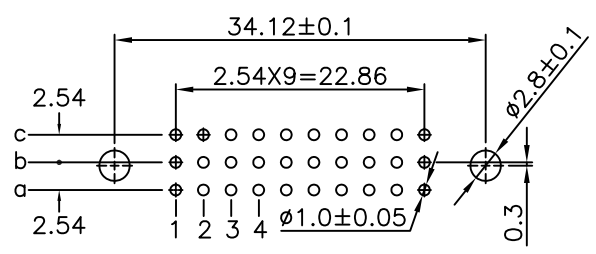
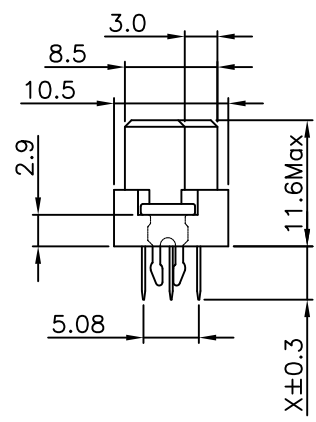
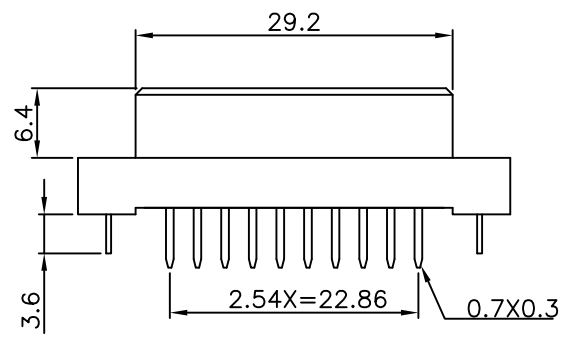
**Material:**

Housing: PBT, UL94V-0 Beige.  
 Contacts: Phosphor Bronze.  
 Lock: Phosphor Bronze.  
 Gold Plated on Contact Area and 80u" Min Tin or Gold Flash Plated on Solder tail over 50u"Min Nickel.

**Electrical Characteristics:**

Current Rating: 2 AMP.  
 Dielectric Withstanding Voltage: AC 1000V For 1 minute.  
 Insulator Resistance: 1000MΩ min. at DC 500V.  
 Contact Resistance: 20mΩ max. at DC 100mA.  
 Operating Temperature: -55°C~+125°C .

**\*RoHS Compliant**



P.C. Board Layout  
(Tolerance:±0.05)

- 9001-C 1 6 30 x C xx L1 A
- Series
- 1: 2.54mm
- 6: Female
- Position
- 1: Dip Length
- 2: Dip Length
- C: Dip Tin
- Contact Gold
- G: Gold
- A: Tray Package
- Blank: W/O Lock
- L1: With Lock
- 00: G/F
- 10: 10u"
- 15: 15u"
- 30: 30u"

Length	1	2
X	4.0	2.5

Tolerances	Dwg. No.	9001-0000-031		Title:	9001 Series			
	x = ±0.5	Projection			DIN41612			OUPIIN ELECTRONIC(KUNSHAN) CO., LTD.
	.x = ±0.25	Unit	mm		Scale	1:1		P/N: 9001-C1630xCxxL1A
	.xx = ±0.15	Drawn By	WQ		12/23'19	Half C,1/3C Type Female		SHEET 1/1
						Ver.No.	R2	