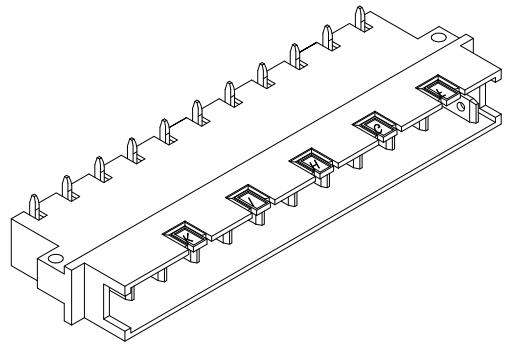
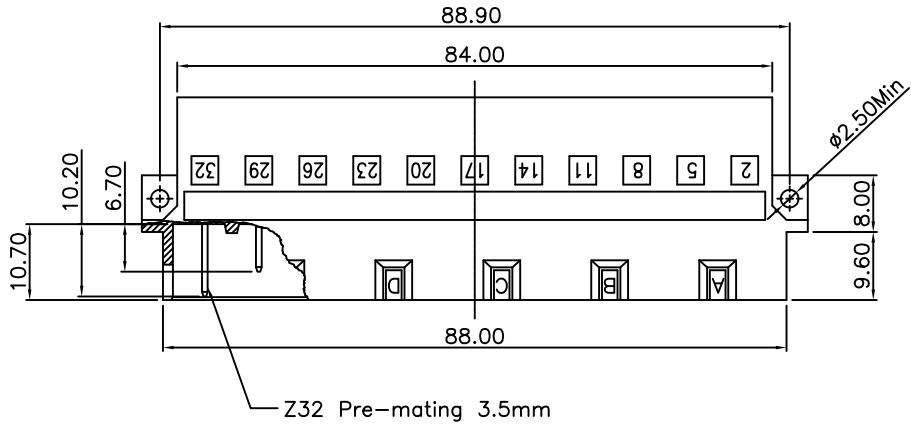


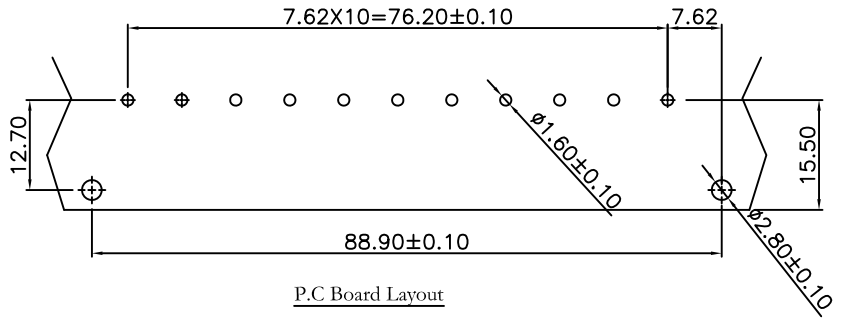
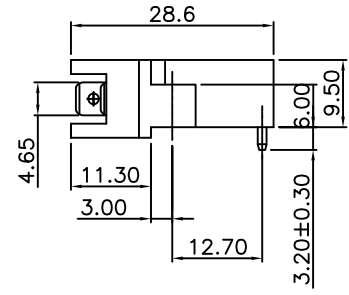
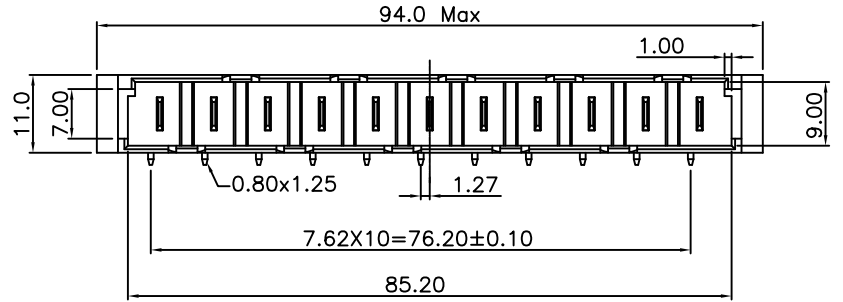
REV.	SPECIFICATION	ECN NO.	APPD.
R1		ECN170207	



Material:
Housing: 30% Glass filled PBT UL94V-0.
Contacts: Brass.

Electrical Characteristics:
Current Rating: 15AMP.
Dielectric Withstanding Voltage: AC3100V For 1 minute.
Insulator Resistance: 1000MΩ min. at DC 500V.
Contact Resistance: 8mΩ max. at DC 100mA.
Operating Temperature: -55°C ~+125°C .

***RoHS Compliant**



9001- 51 11 1
Series | 1: Male | Position

T A
T: TIN/Ni Plating | A: Tray Package

1: Z32 Premating 3.5mm

Tolerances	Dwg No.	9001D51008	Title:		9001 Series DIN41612 H11 Male Type	 OUPIIN ELECTRONIC(KUNSHAN) CO., LTD. P/N: 9001-51111TA			
x = ±0.5	Projection								
.x = ±0.25	Unit	mm	Scale	1:1		SHEET	1/1	Ver.No.	R1
.xx = ±0.15	Drawn By	LQ 02/08'17							