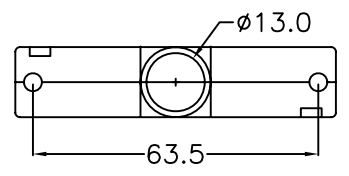
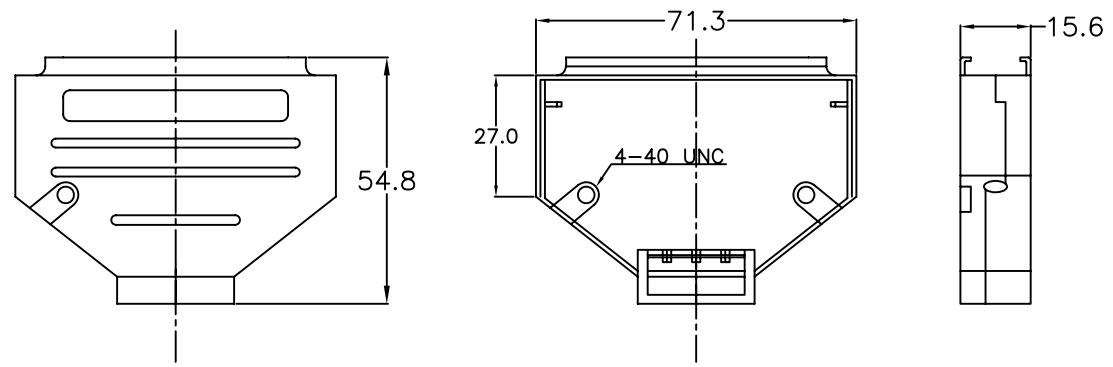


REV.	SPECIFICATION	ECN NO.	APPD.

Material:
Housing: Zinc Alloy;Chranate Plate.
Thumb Screw: Steel.
Lock Screw: Steel.
Insulator: TPR.
***Rohs Compliant**



Accessory	Q'ty
	2
	2
	1

Tolerances x = ±0.5 .x = ±0.3 .xx = ±0.2	Drawn No.	DP00D00018	Title:		 OUPIIN ELECTRONIC(KUNSHAN) CO., LTD. P/N: DP6-37MV13P SHEET 1/1 Ver.No. A2
	Projection		D-SUB 37PIN METAL COVER		
	Unit	mm	Scale	1:1	
	Drawn By	Lupa	12/10'10	0741	