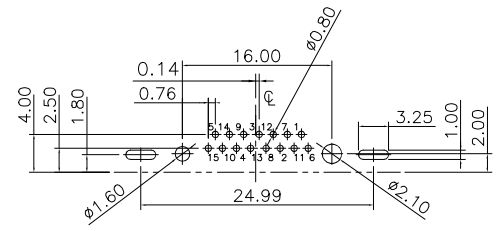
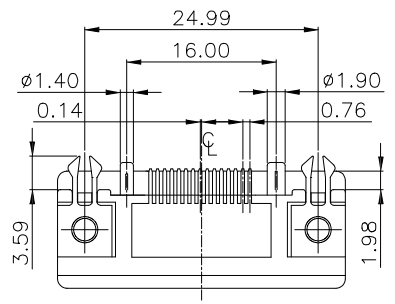
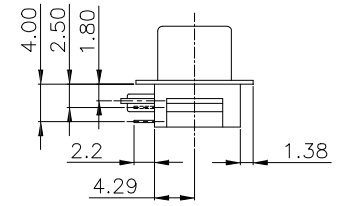
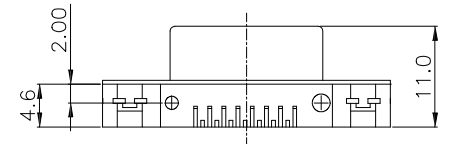
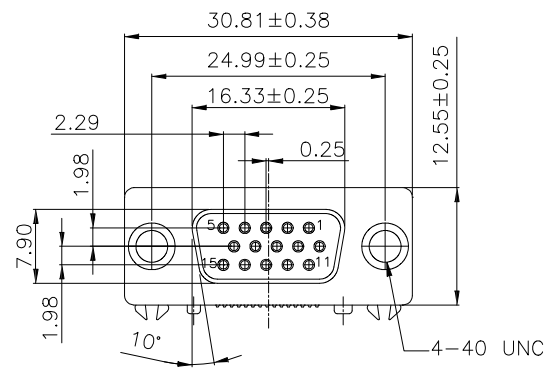


REV.	SPECIFICATION	ECN NO.	APPD.



P.C. Board Layout (Type 2)

Material:
Housing: PBT, UL94V-0.
Contacts: Phosphor Bronze, Gold Plated on Contact Area and 100u" Tin Plated on Solder Tail over Nickel 50u"
Shell: Steel, 80u" Nickel Plated over Copper 40u".
Board Lock: Brass, 100u" Tin Plated over Nickel.
Nut: Brass, 50u" Nickel.
Electrical Characteristics:
Current Rating: 5 AMP.
Dielectric Withstanding Voltage: AC 1000V .
Insulation Resistance: 1000MΩ min..
Contact Resistance: 13mΩ max.
Operating Temperature: -55°C~+105°C.
***RoHS Compliant**

7912-B 15 F C 00 R 2 U
 Series Position F: Female C: Selective 00: G/F R: Right Angle 2: Type 2 U: Tube Package
 Gold Plated

Tolerances .x = ±0.30 .xx = ±0.20 .xxx = ±0.10	Drawn No.	7912D02009		Title: 7912-B Series H.D D-SUB Slim Right Angle Type	 OUPIN ELECTRONIC(KUNSHAN) CO., LTD. P/N: 7912-B15FC00R2U			
	Projection							
	Unit	mm	Scale			1:N		
	Drawn By	Martin 01/12'22				① 516		
					SHEET	1/1	Ver.No.	A5