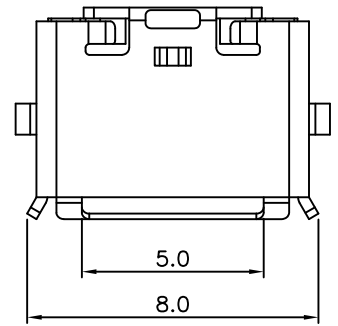
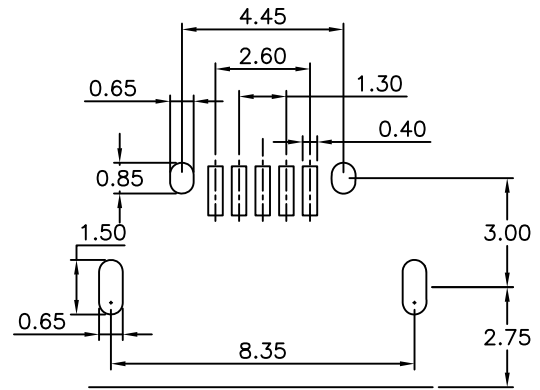
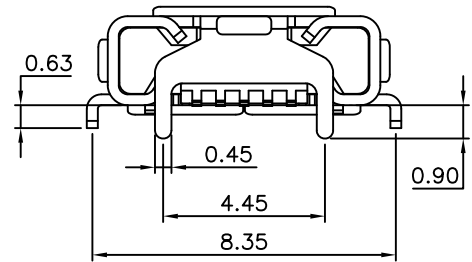
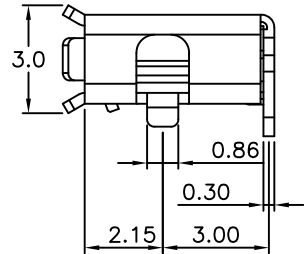
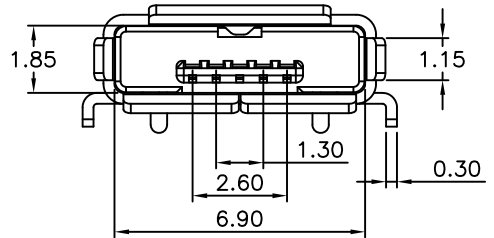


REV.	SPECIFICATION	ECN NO.	APPD.

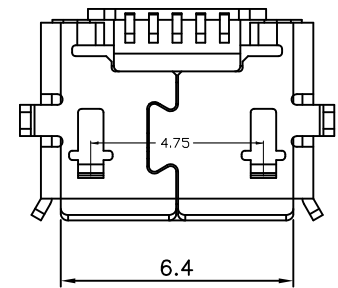


Material:
Housing: LCP, UL94V-0.
Contacts: Phosphor Bronze, Gold Plated over Nickel.
Shell: SUS, Tin Plated.

Electrical Characteristics:
Current Rating: 1.0 AMP.
Dielectric Withstanding Voltage: 100V for 1 minute.
Insulator Resistance: 100MΩ min.
Contact Resistance: 30mΩ max.
Operating Temperature: -30°C~+80°C.
***RoHS Compliant.**



P.C.Board Layout



8971- AB 05 G 00 D N 15 T
Series Style Position G: Gold Plated 00: G/F D: SMD Type N: W/O Post Type 15 T: Tape & Reel Package

Tolerances	Dwg No.	8971D02007	
X. = ±0.50	Projection	⊕ ↗	
.X = ±0.30	Unit	mm	Scale 1/1
.XX = ±0.25	Drawn By	Scott 05/26'16	

Title:
8971 Series
Micro USB AB Type SMD
Reverse

OUPIN			
OUPIN ELECTRONIC(KUNSHAN) CO., LTD.			
P/N: 8971-AB05G00DN15T			
SHEET	1/1	Ver. No.	A1