

REV.	SPECIFICATION	ECN NO.	APPD.
R1		ECN111219	

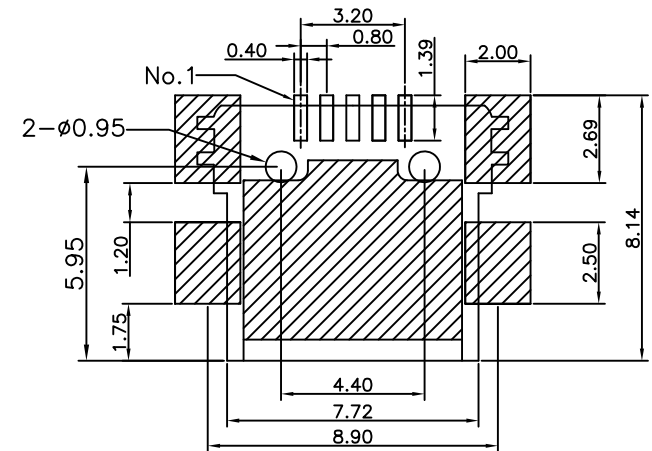
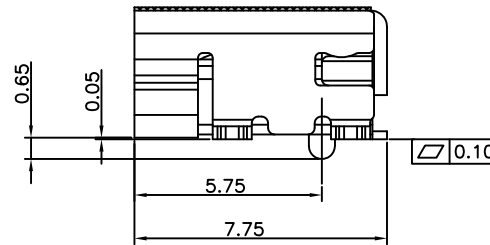
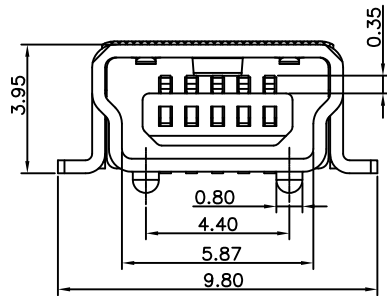
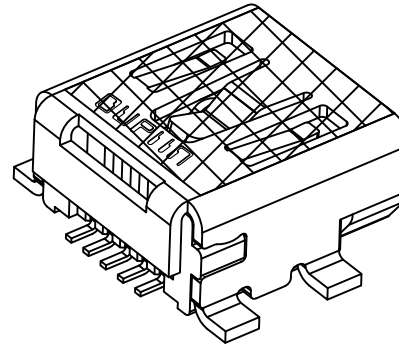
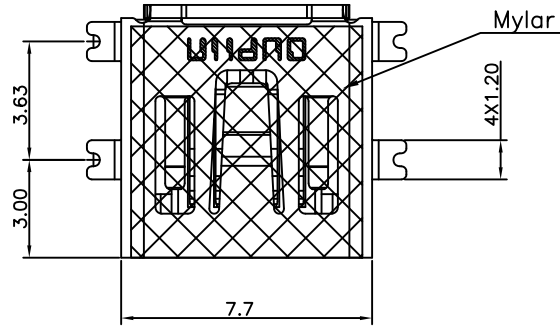
Material:

Housing: High Temperature Plastic UL94V-0
 Contacts: Copper Alloy.
 Shell: Metal.

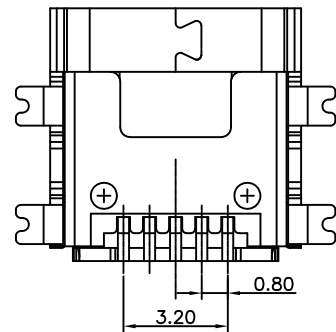
Electrical Characteristics:

Current Rating: 1 AMP.
 Dielectric Withstanding Voltage : AC 100V For 1 minute
 Insulator Resistance: 100MΩ min. at DC 250V.
 Contact Resistance: 50mΩ max. at DC 100mA.
 Operating Temperature: -20°C ~ +85°C.

***RoHS Compliant**



P.C. Board Layout
(Tolerance: ±0.05)



8969-B 05 C xx D S B T- S
 Series Position C: Selective Gold Plated D: Surface Mount S: Mylar A: Tray Package B: Black T: Tape & Reel Package S: Slim Type
 00: G/F
 15: 15μ"
 10: 10μ"
 30: 30μ"

Tolerances	Dwg. No.	8969-D0000-001		Title:	
x = ±0.5	Projection	⊕ ⊖		8969 Series Mini USB B Type 5P SMD	
.x = ±0.25	Unit	mm	Scale		1:1
.xx = ±0.15	Drawn By	XJH 12/06'11			

OUPIN			
OUPIN ELECTRONIC(KUNSHAN) CO., LTD.			
P/N: 8969-B05CxxDSBT-S			
SHEET	1/1	Ver. No.	R1