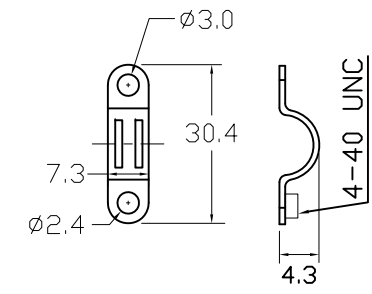
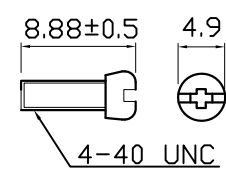
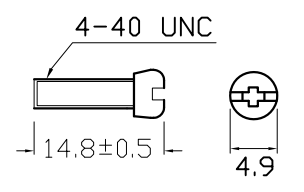
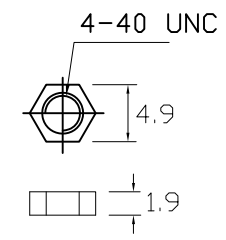
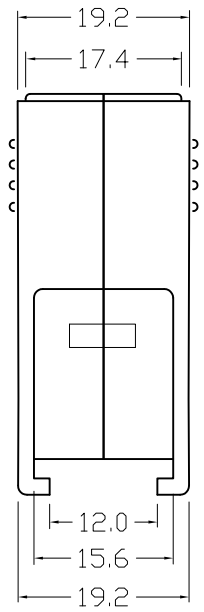
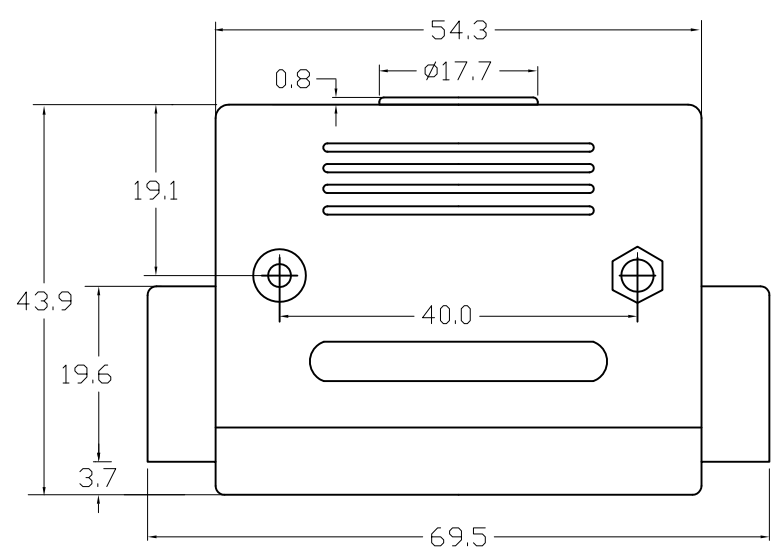
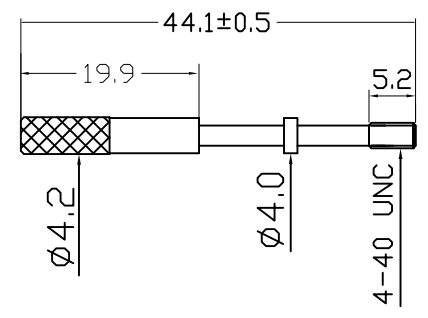
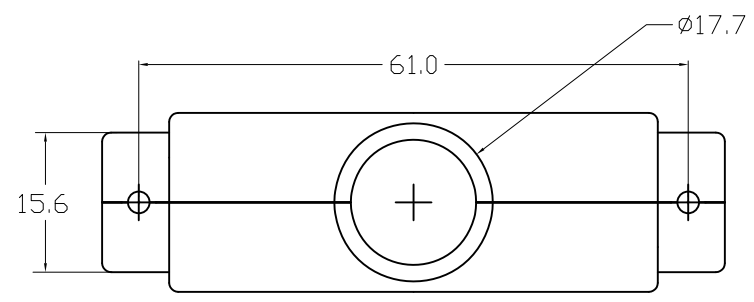


REV.	SPECIFICATION	ECN NO.	APPD.

**Material:**  
Housing: Thermoplastic Polyester Glass Filled UL94HB.  
Screw: Metal.  
**\*RoHS Compliant**



**DP- 50 Y**  
Series Position Y:Grey  
B:Black  
C:Chrome  
(plastic metallized)

**SL B**  
SL:Long Screw B:Bulk Package  
P:Individual Package

<b>Tolerances</b>	<b>Dwg. No.</b>	DP00D00007	<b>Title:</b>		<b>OUPIIN</b> OUPIIN ELECTRONIC(KUNSHAN) CO., LTD.
x = ±0.80	<b>Projection</b>		DP Series		
.x = ±0.50	<b>Unit</b>	mm	Plastic Hood		
.xx = ±0.35	<b>Scale</b>	1:1	P/N: DP-50YSLB		
	<b>Drawn By</b>	Vic Lyu11/09'15	<b>SHEET</b>	1/1	<b>Ver.No.</b>
					A5