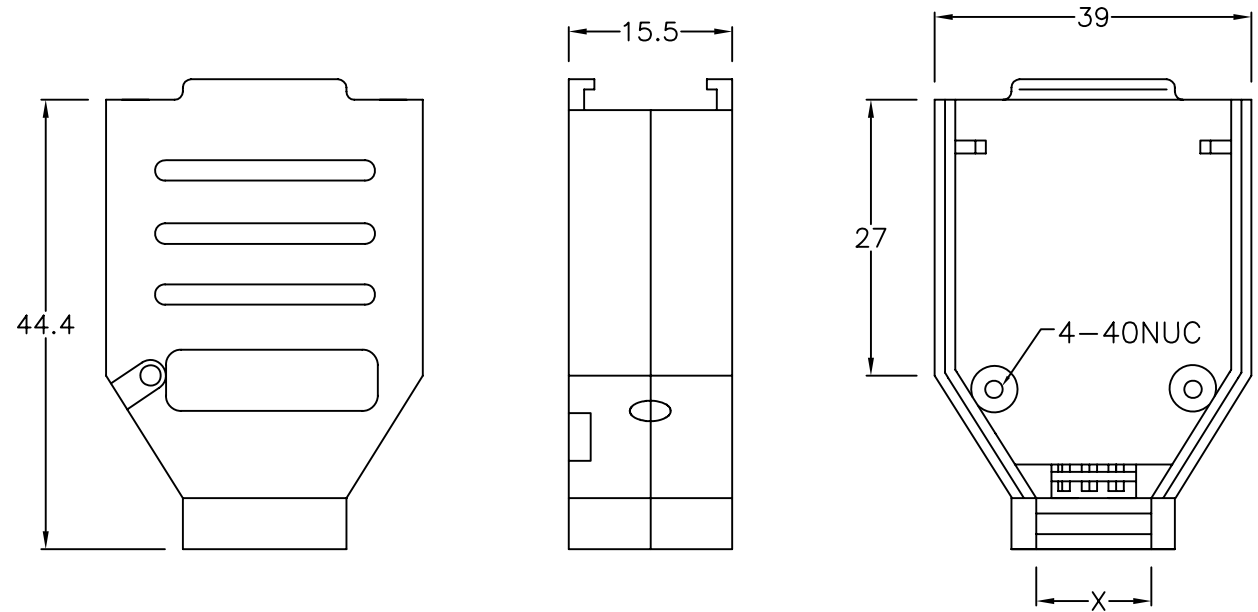
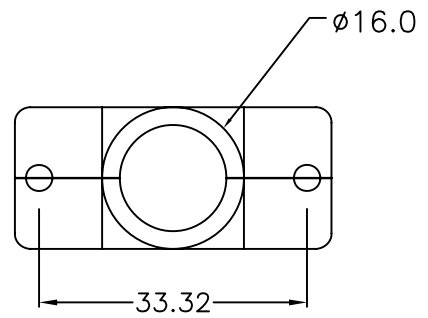


REV.	SPECIFICATION	ECN NO.	APPD.



Material:
Housing: Zinc Alloy;Chranate Plate.
Thumb Screw: Steel.
Lock Screw: Steel.
***Rohs Compliant**



Accessory	Q'ty
	2
	2

DP6-15 MV xx P
Series Position Metal Cover Cable Entrance Diameter
P: Individual Package

X	Cable Entrance Diameter(mm)
6	6
7.5	7.5
9	9
11	11

Tolerances	Drawn No.	DP00D00019
x = ±0.5	Projection	
.x = ±0.3	Unit	mm
.xx = ±0.2	Scale	1:1
	Drawn By	Lupa 12/13'10

Title:
D-SUB 15PIN METAL COVER
WITH LONG SCREW

OUPIN
OUPIN ELECTRONIC(KUNSHAN) CO., LTD.
P/N: DP6-15MVxxP

SHEET	1/1	Ver.No.	A1
--------------	-----	----------------	----

⑦41