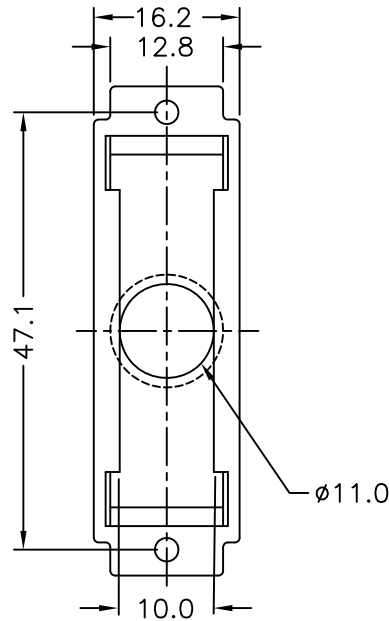
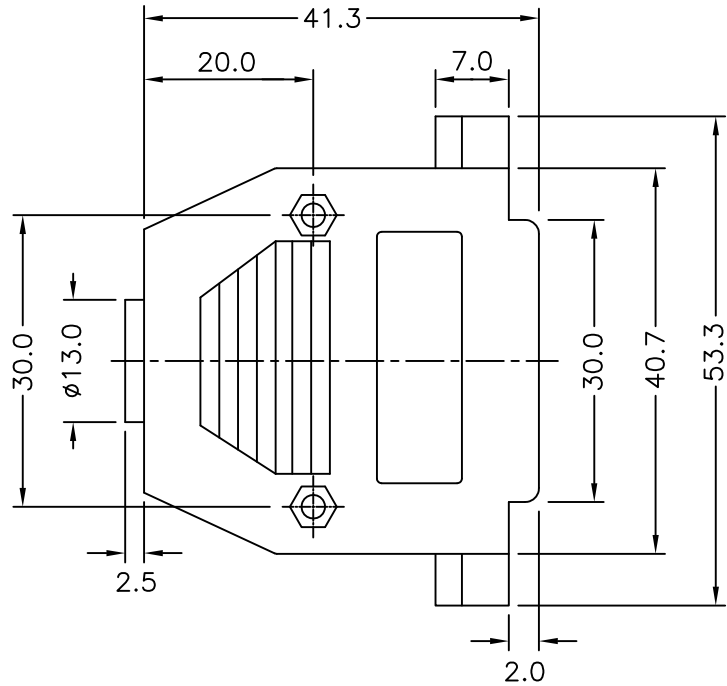


REV.	SPECIFICATION	ECN NO.	APPD.

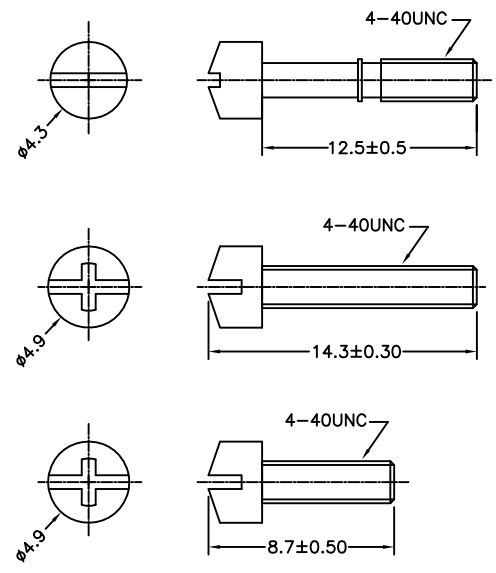
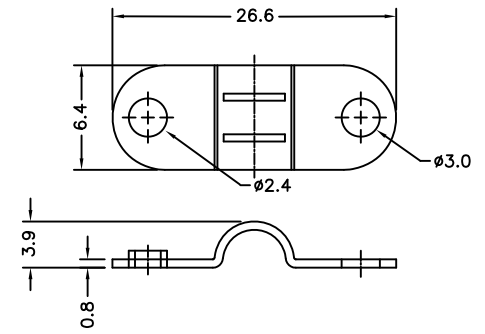
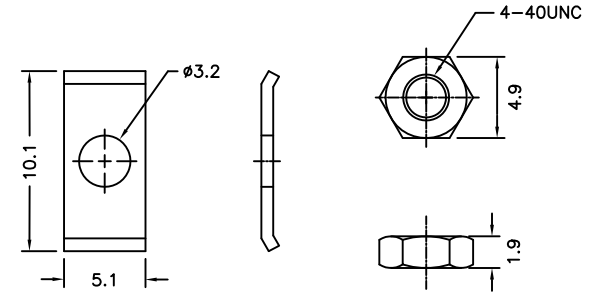


Material:

Housing: Thermoplastic Polyester UL94HB.

Screw: Metal

***RoHS Compliant**



DP- 25 Y
 Series Position Y:Grey
 B:Black

B
 B: Bulk Package
 P: Individual Package

Tolerances	Dwg. No.	DP00D00003	
x = ±0.8	Projection		
.x = ±0.5	Unit	mm	Scale 1:1
.xx = ±0.35	Drawn By	WP 04/20'15	

Title: DP COVER
 Plastic Hood
 741

OUPIN			
OUPIN ELECTRONIC(KUNSHAN) CO., LTD.			
P/N: DP-25YB			
SHEET	1/1	Ver.No.	C1