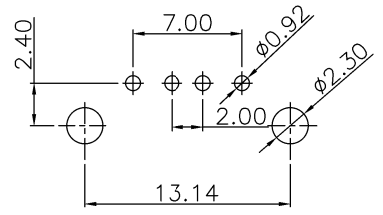
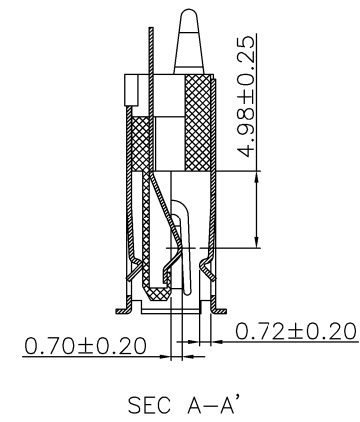
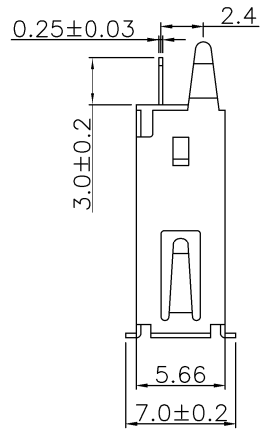
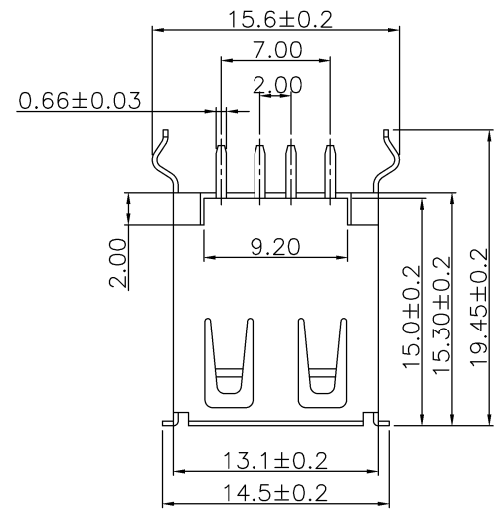
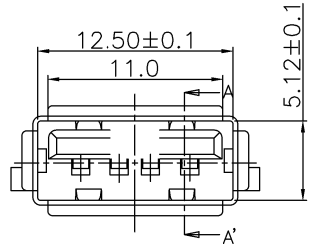


REV.	SPECIFICATION	ECN NO.	APPD.



P.C.Board Layout

**Material:**  
**Housing:** PBT, UL94V-0.  
**Contacts:** Phosphor Bronze, Gold Plated on Contact Area and 100u" Tin Plated on Solder tail over Nickel.  
**Shell:** Brass, 80u" Nickel Plated.  
**Electrical Characteristics:**  
**Current Rating:** 2 AMP  
**Dielectric Withstanding Voltage:** AC 500V.  
**Insulation Resistance:** 1000MΩ min.  
**Contact Resistance:** 30mΩ max.  
**Operating Temperature:** -30°C~+85°C.  
**\*RoHS Compliant**

**8968- A 04 C 00 S x 10 A**

Series — 8968-  
Type A — A  
Position — 04  
C: Selective Gold Plated — C  
00: Gold Flash — 00  
30: 30u" — x  
10 — 10  
A — A

A: Tray Package  
Type 10  
W: White  
B: Black  
S: Straight

Tolerances	Dwg. No.	8968D02038		Title:	8968 Series USB A Vertical Female Type	 <b>DUPIN ELECTRONIC(KUNSHAN) CO., LTD.</b> P/N: 8968-A04C00Sx10A
.x = ±0.30	Projection			SHEET   1/1   Ver.No.   A2		
.xx = ±0.25	Unit	mm	Scale			
.xxx = ±0.10	Drawn By	Martin 11/22'21		① 676		