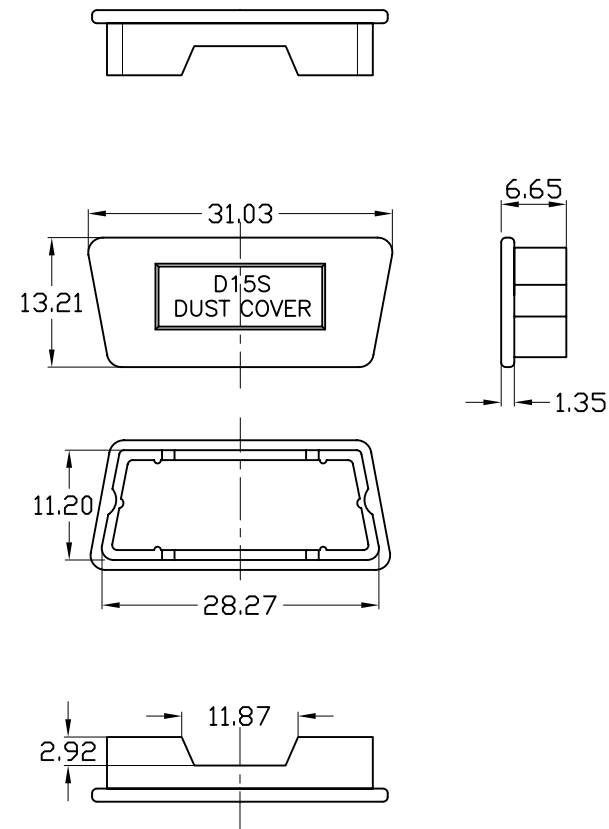
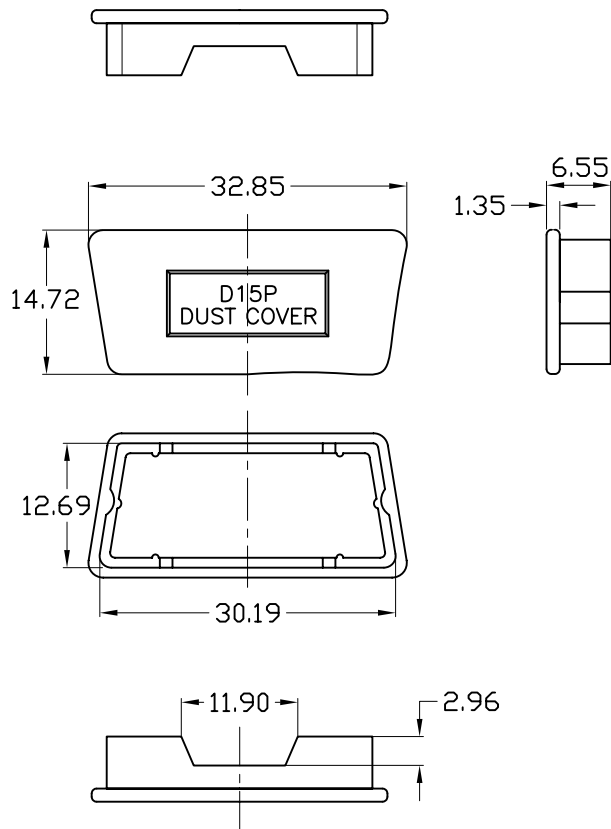


REV.	SPECIFICATION	ECN NO.	APPD.

Materials
Housing:PE UL94HB
***RoHS Compliant**

Male

Female



Tolerances	Drawn No. DB00D00002	Title:		OUPIIN OUPIIN ELECTRONIC(KUNSHAN) CO., LTD. P/N: DB15M(F)-DUST COVER		
x = ±0.5	Projection	D-SUB DUST COVER				
.x = ±0.3	Unit mm	Scale 1:1	15Pin Male (Female)		SHEET 1/1	Ver.No. A1
.xx = ±0.2	Drawn By Pony 04/02'09	①741				