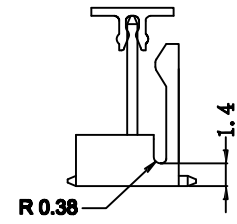
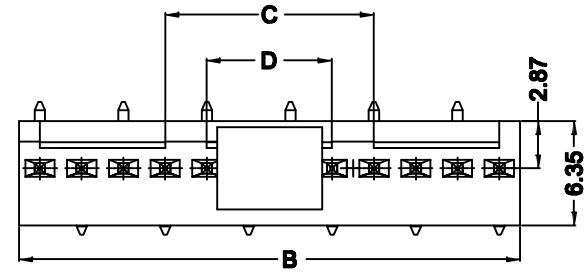
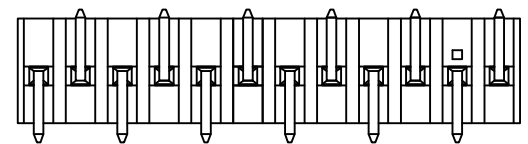
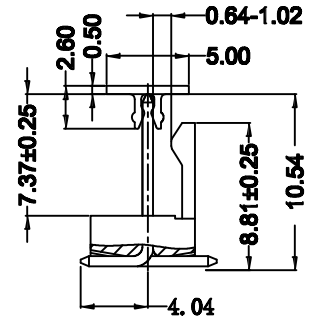
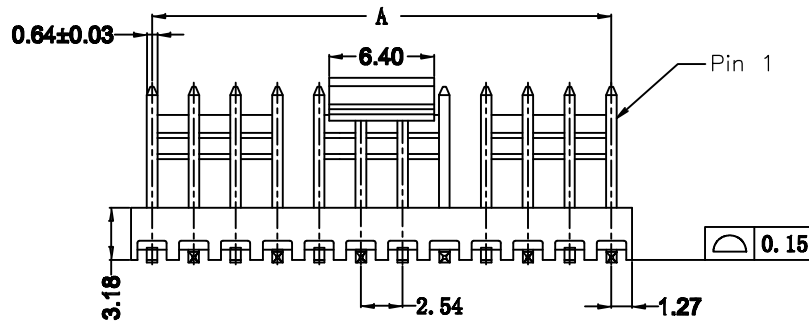


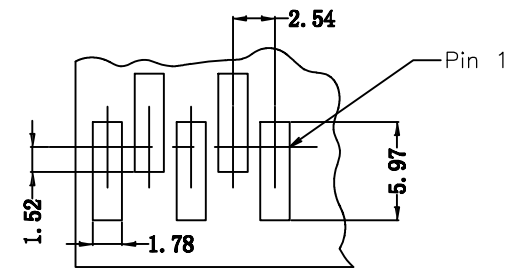
REV.	SPECIFICATION	ECN NO.	APPD.



Material:
Housing: LCP,UL94V-0,Black.
Contacts: Brass, 80u" Tin Plated over Nickel 60u".
Electrical Characteristics:
Voltage Rating: AC/DC 250 V.
Current Rating: 3 AMP.
Dielectric Withstanding Voltage: AC 1000V For 1 minute.
Insulation Resistance: 1000MΩ min.
Contact Resistance: 20mΩ max.
Operating Temperature: -25°C~+85°C.
***RoHS Compliant**



4071-F xx T D T -P
Series ———
No. of Position ———
T: Tin Plated ———
D: SMD Type ———
P: With Cap ———
T: Tape & Reel Package ———



Position	A	B	C	D
02	2.54	5.08	—	—
03	5.08	7.62	—	—
04	7.62	10.16	—	—
05	10.16	12.70	—	—
06	12.70	15.24	—	—
07	15.24	17.78	—	—
08	17.78	20.32	2.54	—
09	20.32	22.86	5.08	—
10	22.86	25.40	7.62	—
11	25.40	27.94	10.16	—
12	27.94	30.48	12.70	7.62
13	30.48	33.02	15.24	7.62
14	33.02	35.56	17.78	12.70
15	35.56	38.10	20.32	12.70
16	38.10	40.64	22.86	12.70
17	40.64	43.18	25.40	12.70
18	43.18	45.72	27.94	12.70

Tolerances	Dwg. No.	S0220190617-03		Title:	
.x = ±0.40	Date	20190617		4071-F Series Wafer 2.54mm	
.xx = ±0.25	Unit	mm	Scale		1:N
.xxx = ±0.08	Drawn By	Sherry			

676

OUPIN
OUPIN ELECTRONIC(KUNSHAN) CO., LTD.
P/N: 4071-FxxTDT-P
SHEET 1/1 Ver.No. X1