

REV.	SPECIFICATION	ECN NO.	APPD.

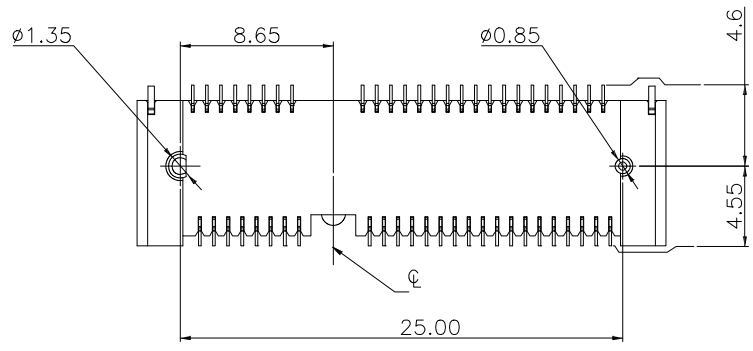
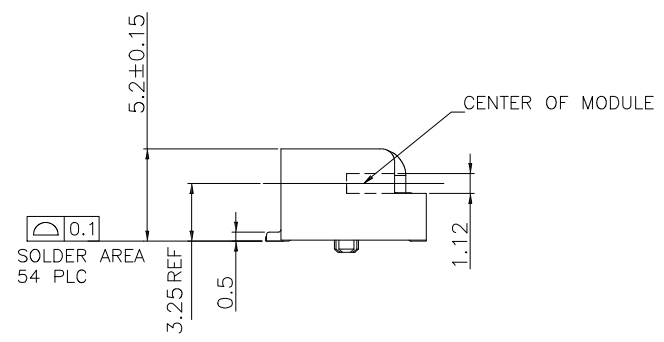
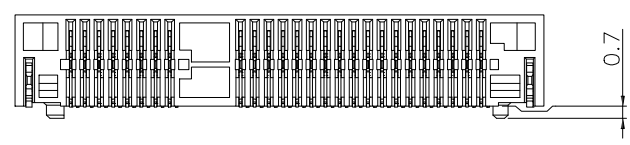
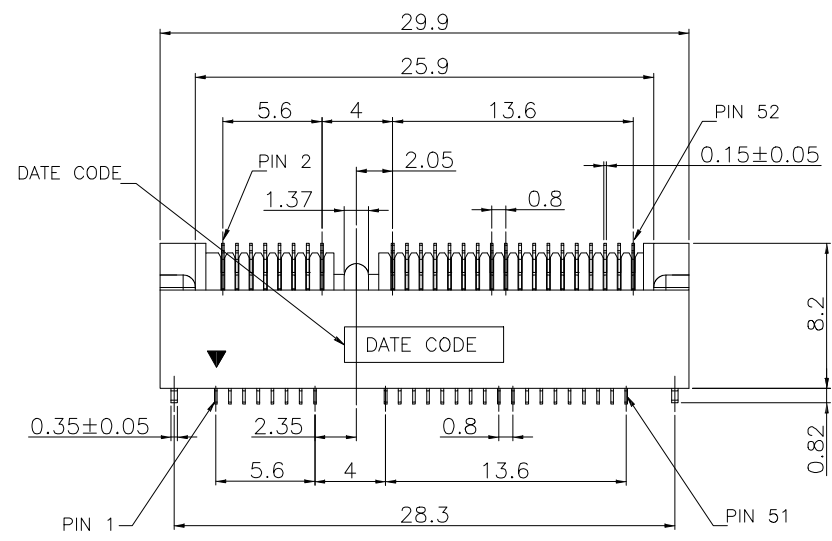
**Material:**

**Housing:** LCP, UL94V-0, Black.  
**Contacts:** Phosphor Bronze, Gold Plated on Contact Area and Gold Flash on Solder Tail over Nickel 50u".  
**Solder Tab:** Brass, 120u" Matte Tin Plated over Nickel 50u".

**Electrical Characteristics:**

**Current Rating:** 0.5A.  
**Dielectric Withstanding Voltage:** AC 300V.  
**Insulation Resistance:** 500MΩ min.  
**Contact Resistance:** 55mΩ max.  
**Operating Temperature:** -55°C~+85°C.

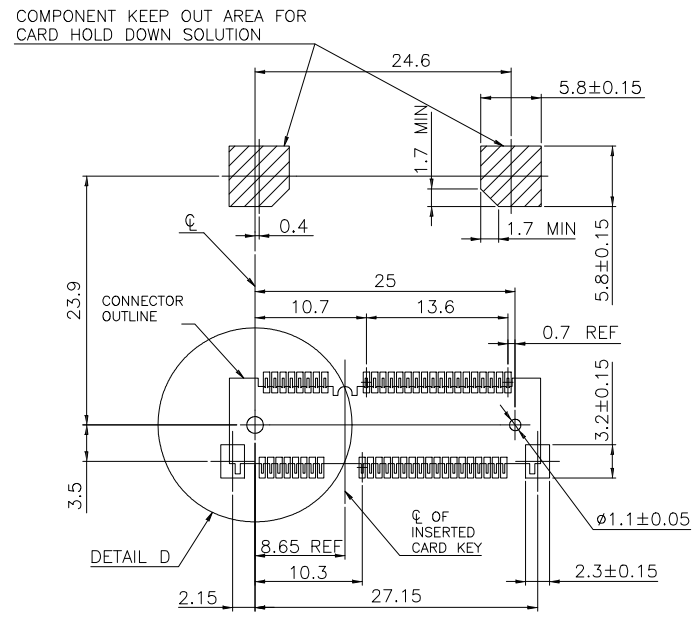
**\*RoHS Compliant**



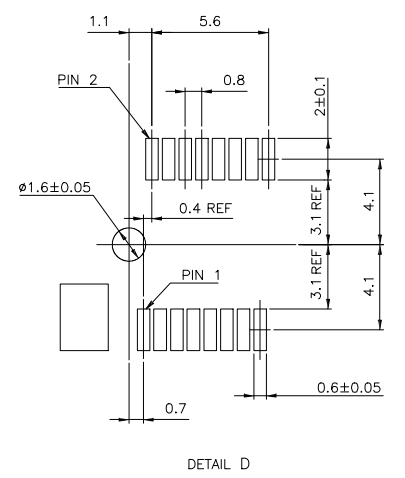
8402-A 52 G 00 A 2 T  
 Series ——— Positions ——— T:Tape & Reel Package  
 G:Gold Plated ——— 2:5.20mm Height  
 00:Gold Flash ——— A:Top Mount Type  
 10:10u"  
 30:.30u"

<b>Tolerances</b> x. = ±0.40 .x = ±0.30 .xx = ±0.20 .xxx = ±0.15	Dwg. No.	S6520230719-01		Title:		 OUPIIN ELECTRONIC(KUNSHAN) CO., LTD. P/N: 8402-A52G00A2T
	Projection			8402-A Series		
	Unit	mm	Scale	1:N		
	Drawn By	Martin 09/01'23		Mini PCI Express H:5.20mm		
SHEET 1/4 Ver.No. X2						

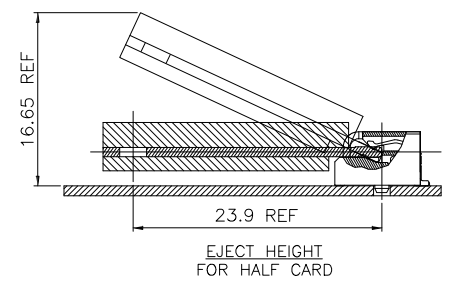
REV.	SPECIFICATION	ECN NO.	APPD.



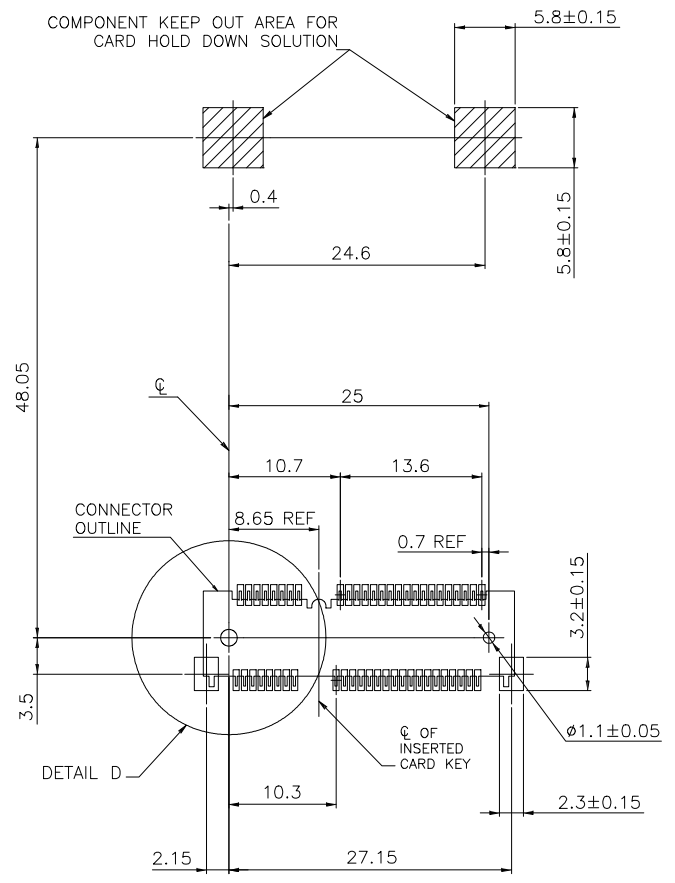
RECOMMENDED P.C. BOARD PATTERN LAYOUT FOR HALF CARD CONNECTOR



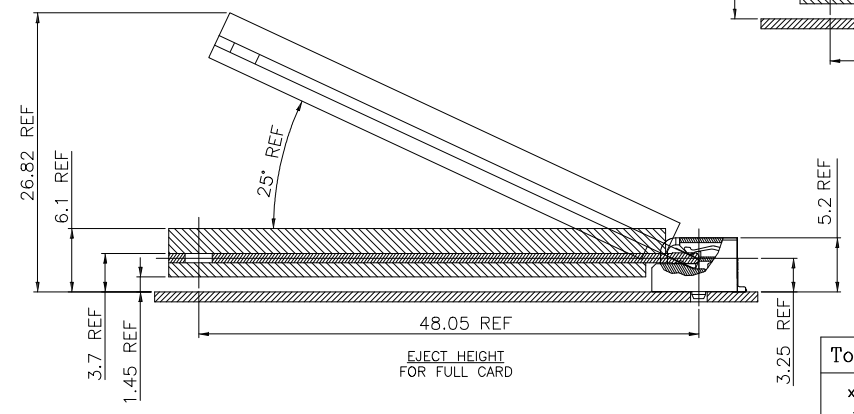
DETAIL D



EJECT HEIGHT FOR HALF CARD



RECOMMENDED P.C. BOARD PATTERN LAYOUT FOR FULL CARD CONNECTOR



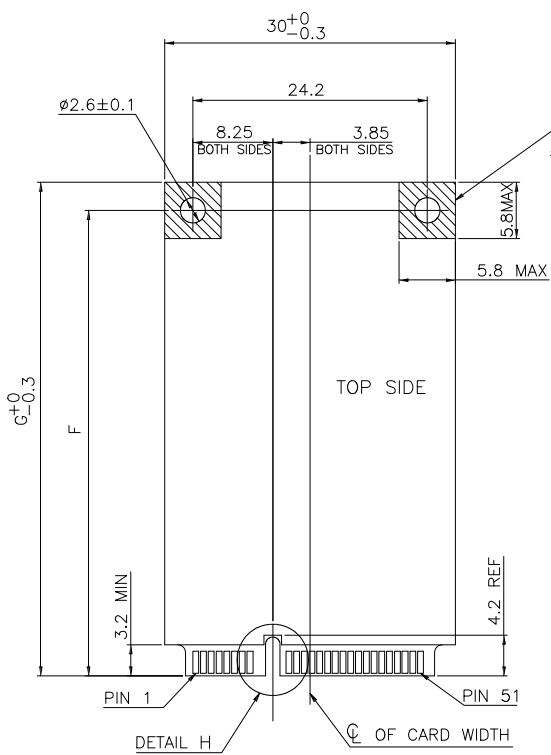
EJECT HEIGHT FOR FULL CARD

Tolerances	Dwg. No.	S6520230719-01		Title:	
x. = ±0.40	Projection			8402-A Series	
.x = ±0.30	Unit	mm	Scale	1:N	Mini PCI Express H:5.20mm
.xx = ±0.20	Drawn By	Martin	09/01'23	716	
.xxx = ±0.15					

OUPIIN ELECTRONIC(KUNSHAN) CO., LTD.			
P/N: 8402-A52G00A2T			
SHEET	2/4	Ver.No.	X2

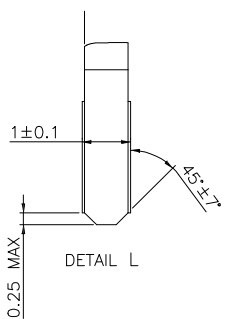
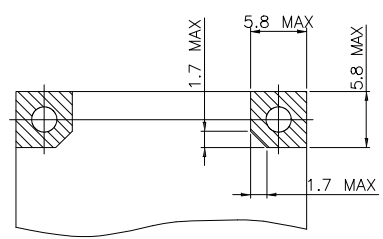
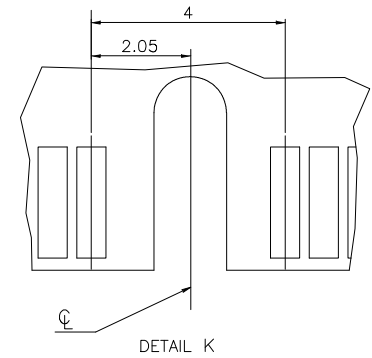
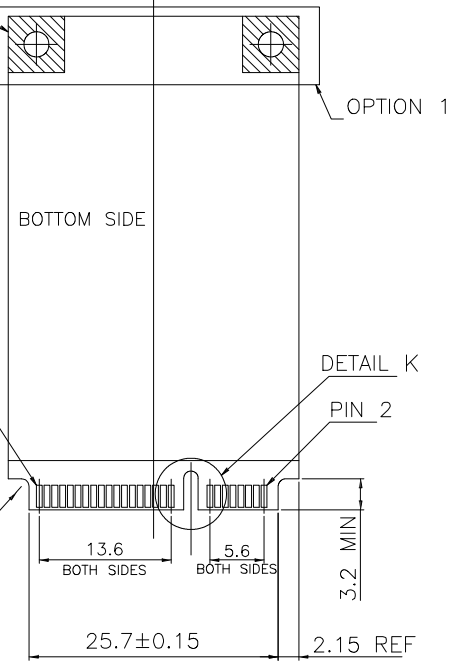
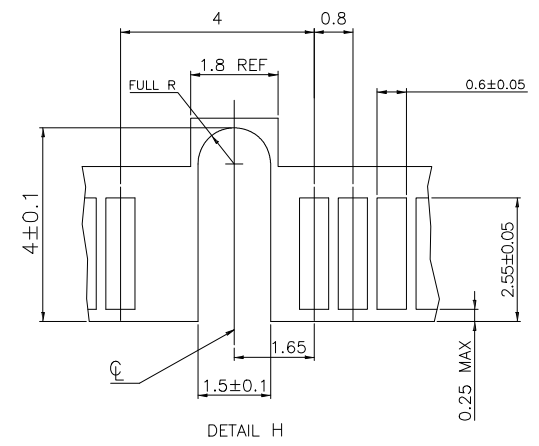
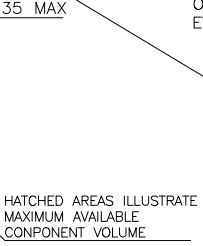
REV.	SPECIFICATION	ECN NO.	APPD.

F	G	
48.05	50.95	FULL-MINI CARD
23.9	26.8	HALF-MINI CARD



COMPONENT AND ROUTING (ALL LAYERS)  
KEEP OUT AREA FOR HOLD DOWN SOLUTIONS

PIN NUMBERING REFERENCE:  
ODD PINS-TOP SIDE  
EVEN PINS-BOTTOM SIDE



FOR PCI EXPRESS MINI CARD

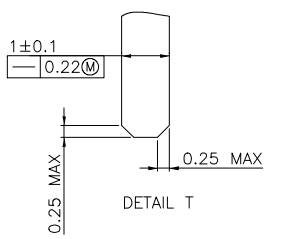
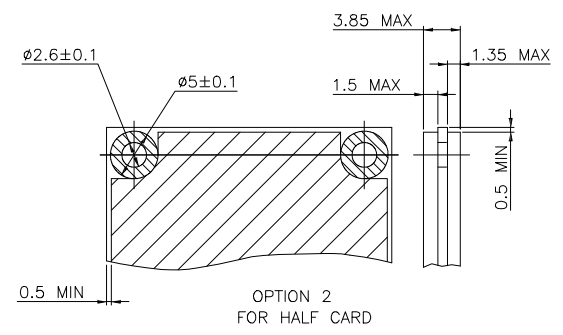
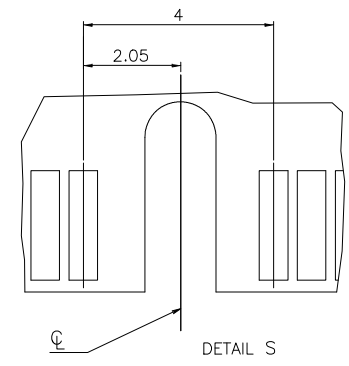
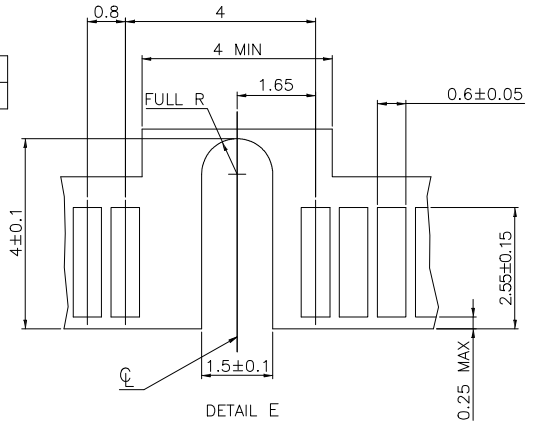
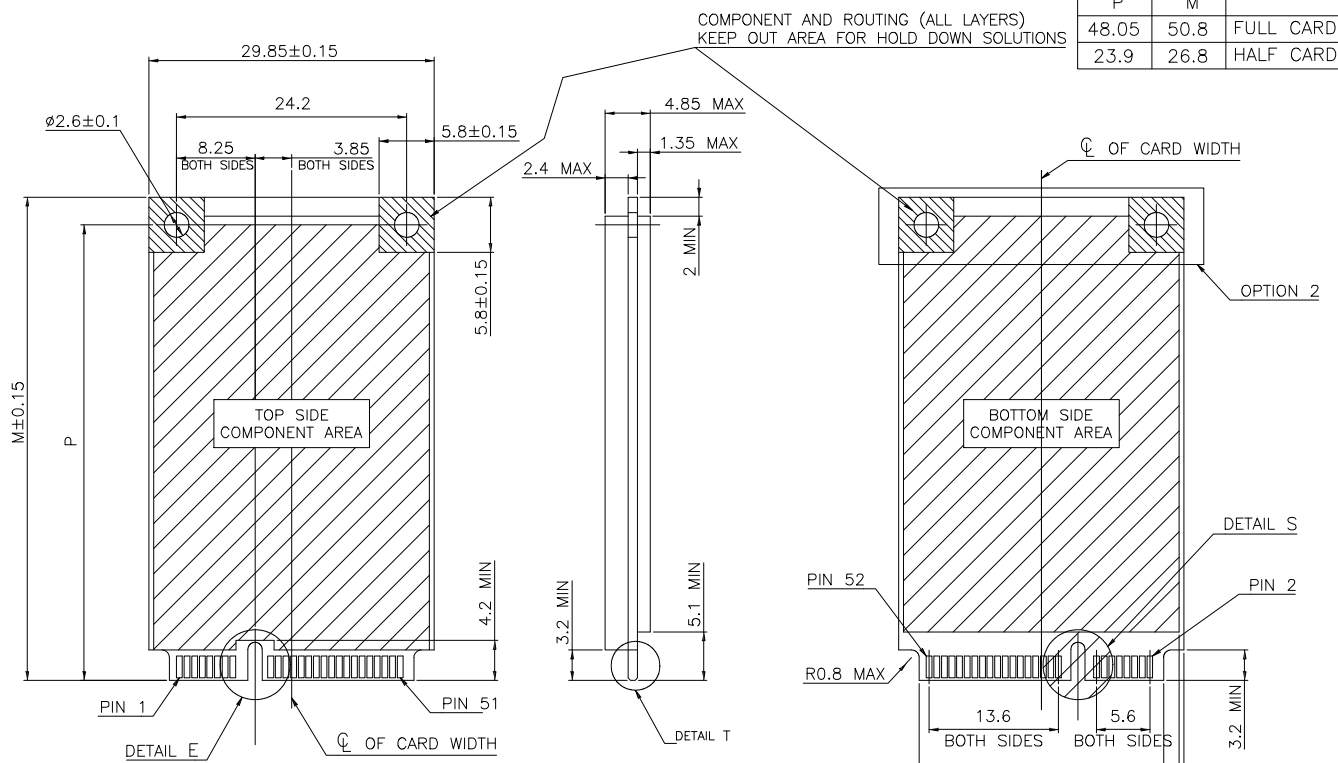
Tolerances	Dwg. No.	S6520230719-01	Title:	8402-A Series
x. = ±0.40	Projection	⊕ ⊖	Unit	mm
.x = ±0.30	Scale	1:N	Drawn By	Martin 09/01'23
.xx = ±0.20				
.xxx = ±0.15				

Mini PCI Express H:5.20mm
① 716

<b>OUPIIN</b>			
OUPIIN ELECTRONIC(KUNSHAN) CO., LTD.			
P/N: 8402-A52G00A2T			
SHEET	3/4	Ver.No.	X2

REV.	SPECIFICATION	ECN NO.	APPD.

P	M	
48.05	50.8	FULL CARD
23.9	26.8	HALF CARD



FOR mSATA

<b>Tolerances</b> x. = ±0.40 .x = ±0.30 .xx = ±0.20 .xxx = ±0.15	Dwg. No.	S6520230719-01	Title:		 OUPIIN ELECTRONIC(KUNSHAN) CO., LTD. P/N: 8402-A52G00A2T SHEET 4/4 Ver.No. X2
	Projection	⊕ ↗	8402-A Series		
	Unit	mm	Scale	1:N	
	Drawn By	Martin 09/01'23	Mini PCI Express H:5.20mm		
① 716					