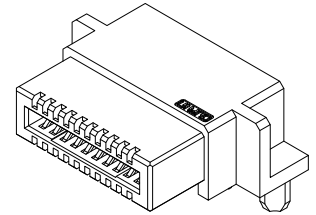
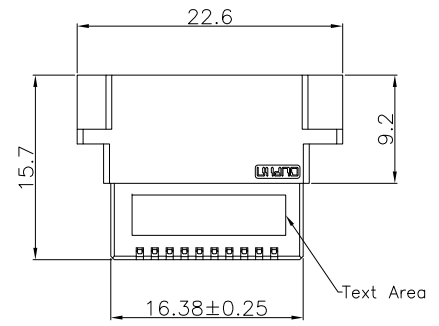


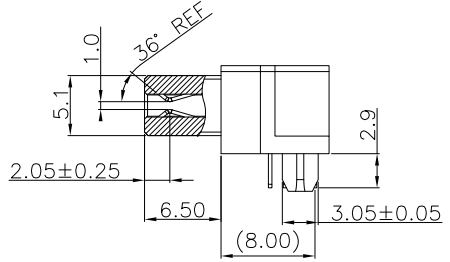
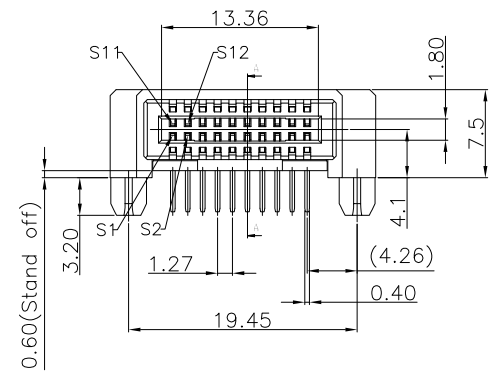
REV.	SPECIFICATION	ECN NO.	APPD.
R6		ECN230636	



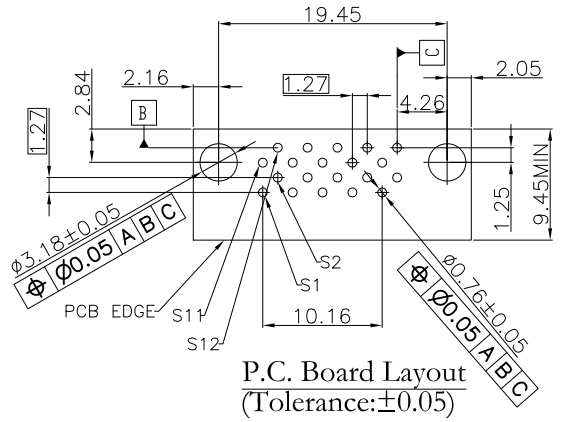
Material and Plating:
Housing: LCP, UL94V-0 , Black.
Cover: LCP, UL94V-0 , Black.
Signal Contacts : Phosphor Bronze.
 30u" Au+Pd/Ni Plated on Contact Area and 80u" Min Matte Tin Plated on Solder Tail over Nickel 50u" Min .

Electrical Characteristics:
Current Rating: 1.5 AMP.
Rating Voltage: 30V DC.
Insulator Resistance: 5000MΩ min. at DC 500V.
Dielectric Withstanding Voltage: DC 1500V For 1 minute.
Contact Resistance: 45mΩ max. at DC 20mA.
Operating Temperature: -40°C ~+105°C.

***RoHS Compliant**
 Notes:
 1.IR Reflow & PIP Profile: 260°C±5°C, 10s & 217°C, 60~150s.



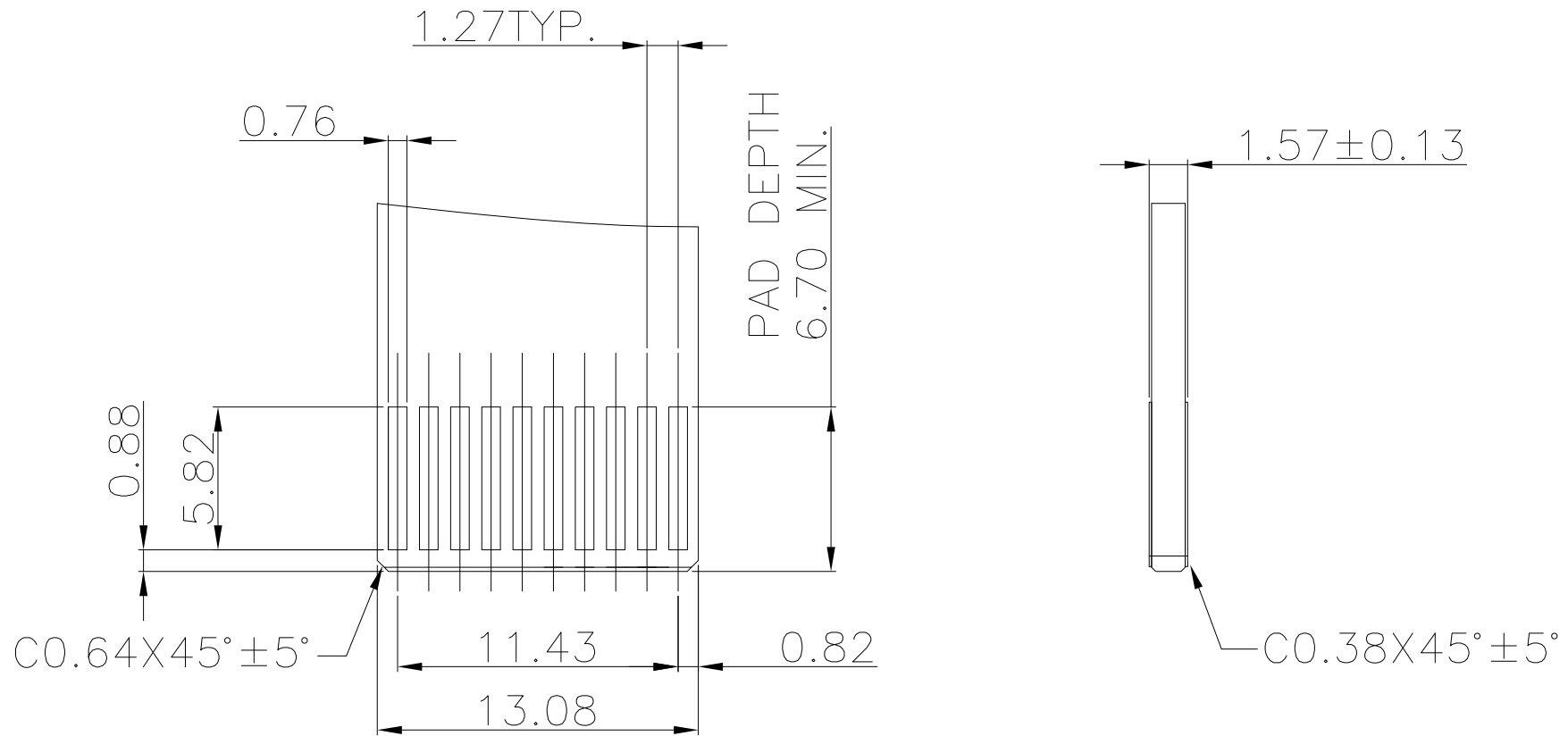
Section A-A



9392- 4 S20 P 1 2 CB 30 D T
 Series ————
 4:Female Right Angle ————
 S20: No. of Signal Pin ————
 N: W/O Post ————
 P: With Post ————
 1: Without Guides ————
 T:Tape & Reel Package
 D:Dip Type
 30: 30 u"
 CB: Dip Tin Plated
 Contact Au+Pd/Ni Plated
 2: Dim T=2.90mm

Tolerances	Dwg. No.	9392-D0000-049	Title:	 OUPIIN ELECTRONIC(KUNSHAN) CO., LTD. P/N: 9392-4S20P12CB30DT SHEET 1/2 Ver.No. R6			
x = ±0.5	Projection		9392 Series				
.x = ±0.25	Unit	mm	Low Profile Hybrid				
.xx = ±0.15	Scale	1:1	Power Receptacle				
	Drawn By	JCQ 06/27/'23					

REV.	SPECIFICATION	ECN NO.	APPD.
R6		ECN 2.60636	



Recommended Edge Card Layout
(Tolerance: ± 0.05)

Tolerances	Dwg. No.	9392-D0000-049		Title:		
x = ± 0.5	Projection			9392 Series Low Profile Hybrid Power Receptacle		
.x = ± 0.25	Unit	mm	Scale			1:1
.xx = ± 0.15	Drawn By	JCQ 06/27/'23				

OUPIIN ELECTRONIC(KUNSHAN) CO., LTD.			
P/N:9392-4S20P12CB30DT			
SHEET	2/2	Ver.No.	R6