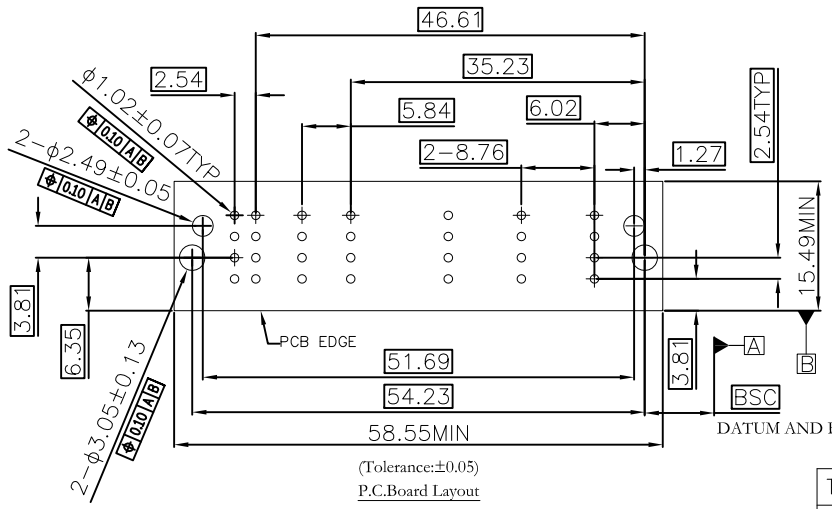
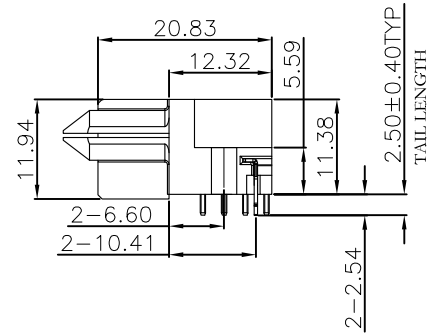
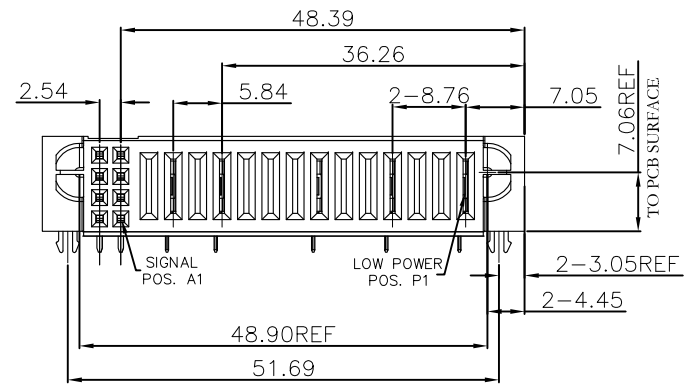
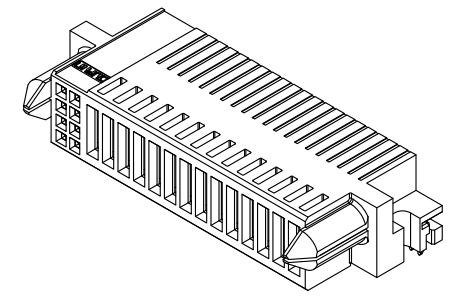
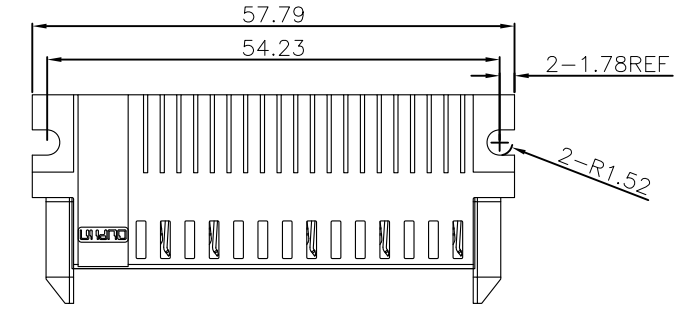


REV.	SPECIFICATION	ECN NO.	APPD.
R1		ECN210817	



Series 9303- 4 S08 L14 CB 30 D L A -A022 Internal Code
 4:Female Right Angle
 Blank:Without Contact
 Signal Contact: S xx
 No. of position
 Blank: Without Contact
 Hxx, Pxx, Axx,Lxx
 No. of position
 L:With Lock
 D:Dip Type
 30: 30 u"
 CB: Contact Au+Pd/Ni,Dip Tin

Material and Plating:
Housing: LCP, UL94V-0 , Black.
Power Contacts: High Conductivity Copper.
 30u" Au+Pd/Ni on Contact Area and 80u" Min Tin Plated on Solder Tail over nickel 50u" Min .
Signal Contacts : Phosphor Bronze.
 30u" Au+Pd/Ni on Contact Area and 80u" Min Tin Plated on Solder Tail over nickel 50u" Min .
Lock: Phosphor Bronze.
Electrical Characteristics:
Current Rating: Signal Pin: 2.5 A.
 Power Pin: 30A(Single Contact).
Dielectric Withstanding Voltage:
 Signal Pin DC 1000V For 1 minute.
 Power Pin DC 1000V For 1 minute.
Insulator Resistance: Signal Pin 500MΩ max.
 Power Pin 1000MΩ max.
Contact Resistance: Signal Pin 20mΩ max.
 Power Pin 1.5mΩ max.
Operating Temperature: -40°C ~+125°C .

***RoHS Compliant**

Notes 1 :
 H: High density Power---PCB Mount 5.08mm Pitch
 P: DC Power---PCB Mount 6.35mm Pitch
 A: AC Power---PCB Mount 7.62mm Pitch
 S: Signal---PCB Mount 2.54mm Pitch
 L:Low Power---PCB Mount 2.92mm Pitch
Notes 2 :
 P2, P3, P5, P6, P8, P9, P10, P12, P14 Without Contact.
 Contact Length is 2.50mm,Lock length is 2.54mm.

ROWS	SIGNAL		POWER										P1				
	2	1	P14	P13	P12	P11	P10	P9	P8	P7	P6	P5		P4	P3	P2	
D	M	M	X	LR	X	LR	X	X	LR	X	X	LR	X	X	X	LR	HD
C	M	M															
B	M	M															
A	M	M															HD

POWER CONTACT.STD	LR
SIGNAL CONTACT 2.50 SOLDER TAIL, PD/NI	M

Tolerances	Dwg. No.	9303-D0000-098	Title:	9303 Series
x = ±0.5	Projection		Female Right-angle Dip Type	
.x = ±0.25	Unit	mm	Scale	1:1
.xx = ±0.15	Drawn By	XS 08/12'21		

OUPIN
OUPIN ELECTRONIC(KUNSHAN) CO., LTD.
 P/N: 9303-4S08L14CB30DLA-A022
 SHEET 1/1 Ver. No. R1

DATUM AND BASIC DIMENIONS ARE ESTABLISHED BY CUSTOMER

(Tolerance:±0.05)
 P.C.Board Layout