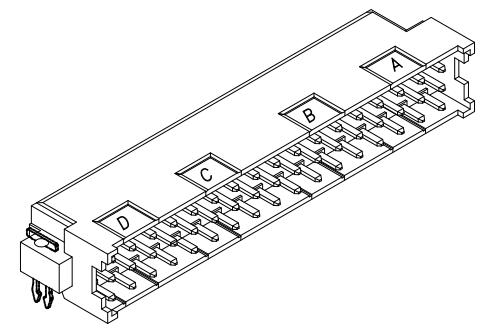
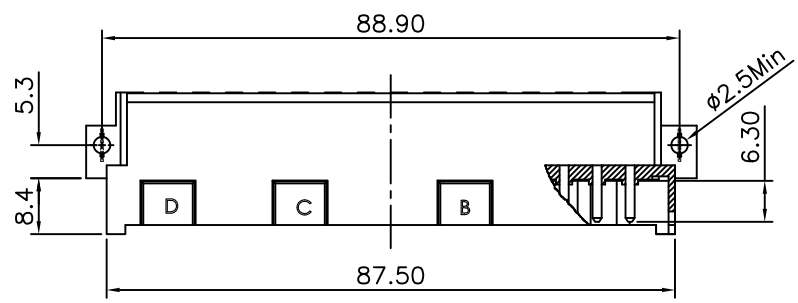


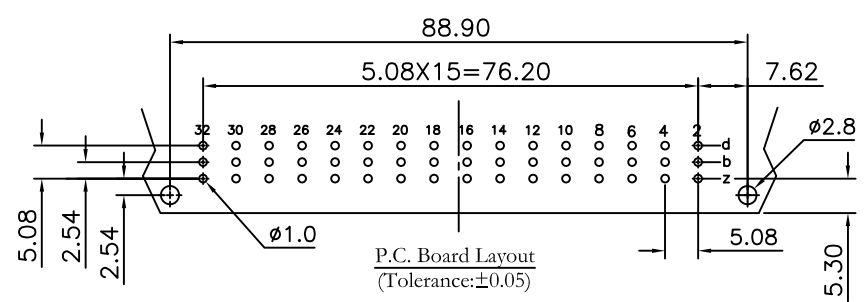
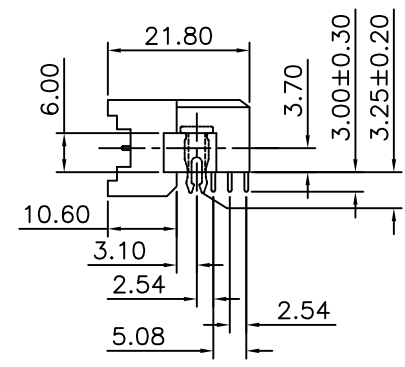
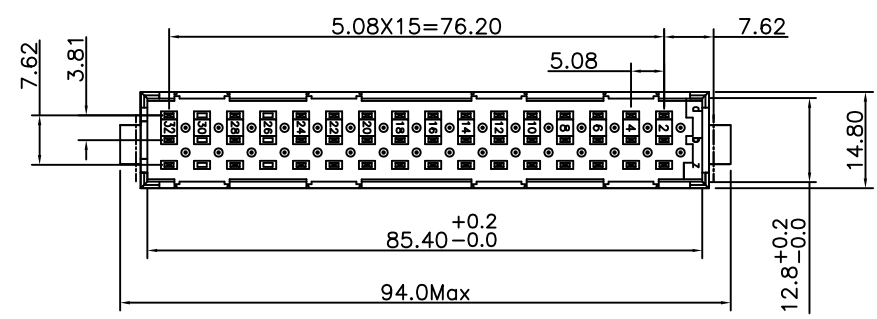
REV.	SPECIFICATION	ECN NO.	APPD.
R3		ECN160901	



Material:
Housing: Thermoplastic Polyester Glass Filled UL94V-0.
Contacts: Copper Alloy.
Lock: Copeer Alloy.

Electrical Characteristics:
Current Rating: 5.6AMP.
Dielectric Withstanding Voltage: AC1550V For 1 minute.
Insulator Resistance: 1000MΩ min. at DC 500V.
Contact Resistance: 15mΩ max. at DC 100mA.
Operating Temperature: -55°C ~+125°C .

***RoHS Compliant**



9001- 61 xx 1 C xx L1 A
Series: 9001-
1: Male
Position: xx
1: Dip Length
C: Dip Tin
Contact Gold
G: Gold
A: Tray Package
Blank: W/O Lock
L1: With Lock
00: G/F
10: 10 μ"
30: 30 μ"

Pitch	Position	Rows with Contacts	Contact Arrange
5.08mm	48	z b d	
	32	z - d	
	16	z - -	

Tolerances	Drawn No.	9001D61001		Title:	
x = ±0.5	Projection			9001 Series DIN41612 F Type Male	
.x = ±0.25	Unit	mm	Scale		1:1
.xx = ±0.15	Drawn By	ycj 09/01'16			

OUPIIN			
OUPIIN ELECTRONIC(KUNSHAN) CO., LTD.			
P/N: 9001-61xx1CxxL1A			
SHEET	1/1	Ver.No.	R3