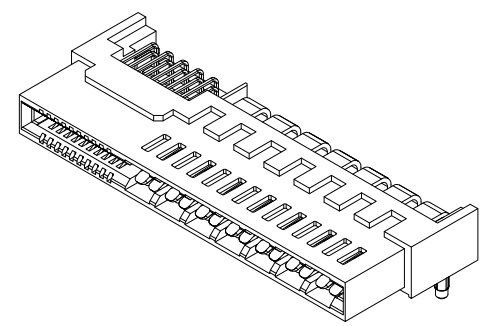
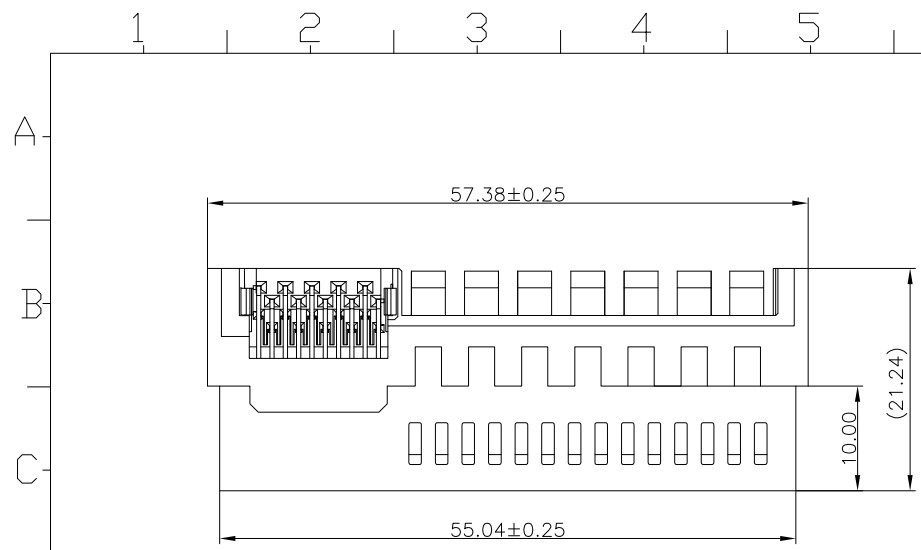


REV.	SPECIFICATION	ECN NO.	APPD.
R2		ECN230928	



Material and Plating:

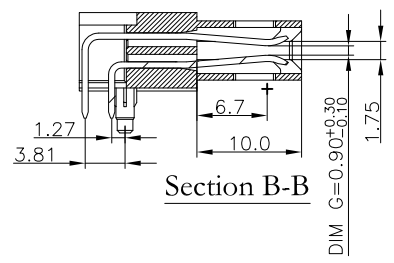
Housing: LCP, UL94V-0, Black.
Power Contacts: High Conductivity Copper .
 Gold Plated or Au+Pd/Ni on Contact Area and 80μ" Min Tin Plated on Solder Tail over nickel 50μ" Min .
Signal Contacts: Phosphor Bronze .
 Gold Plated or Au+Pd/Ni on Contact Area and 80μ" Min Tin Plated on Solder Tail over nickel 50μ" Min .

Electrical Characteristics:

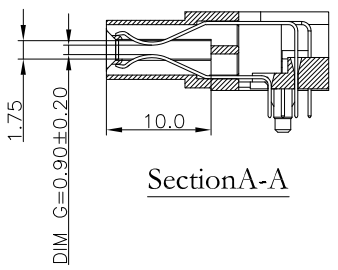
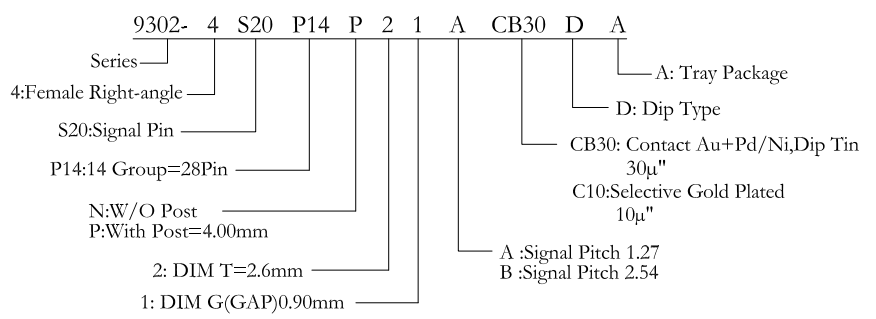
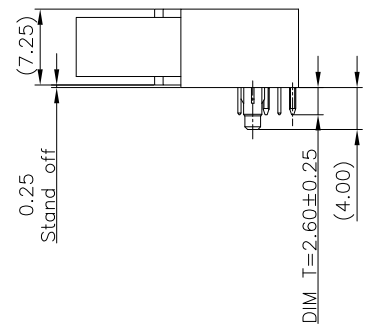
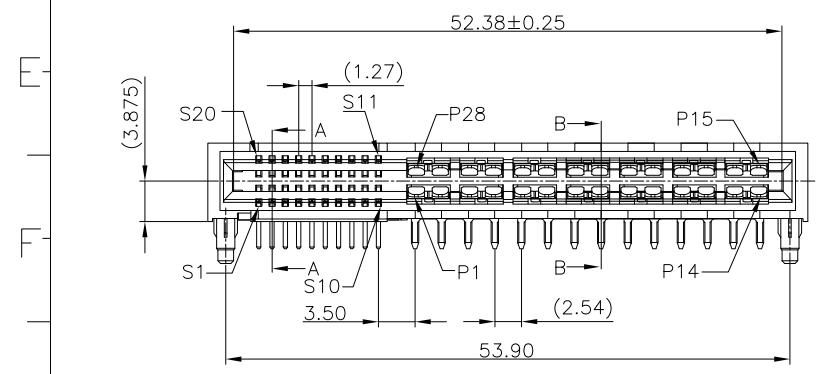
Current Rating: Signal Pin 1.5A.
 Power Pin 12.5A(UL).
Dielectric Withstanding Voltage:
 Signal Pin DC 500V For 1 Minute.
 Power Pin DC 1000V For 1 Minute.
Contact Resistance: Signal Pin 25mΩ max.
 Power Pin 0.6mΩ max.
Insulator Resistance:Signal Pin 500MΩ min.at DC 500V
 Power Pin 5000MΩ min.at DC 500V

Operating Temperature: -55°C~+105°C.

***Rohs Compliant**



Section B-B



Section A-A

Tolerances	Dwg No.	9302-D0000-053	Title:	 OUPIN ELECTRONIC(KUNSHAN) CO., LTD. P/N: 9302-4S20P14P21ACB30DA			
X=0.5	Projection		9302 Series				
.X=0.25	Unit	mm	High Power And Signal Edge Card Connector				
.XX=0.15	Scale	1:1	Drawn By	GUY 09/19'23			
				SHEET	1/2	Ver.No.	R2

