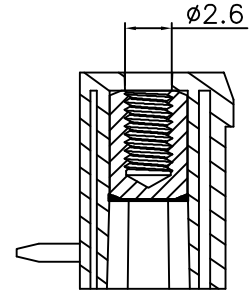
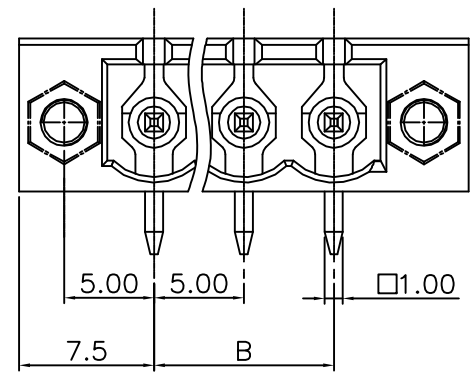
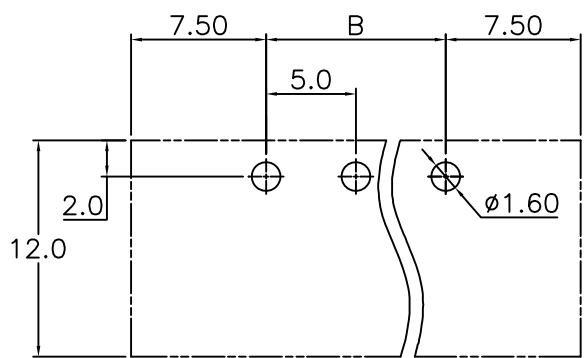
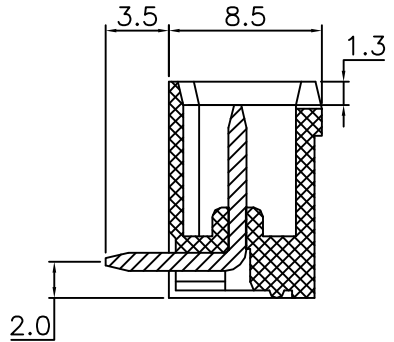
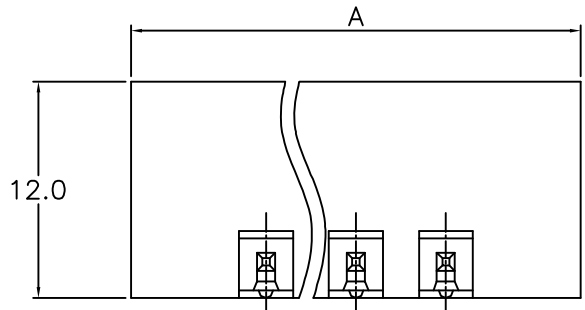


REV.	SPECIFICATION	ECN NO.	APPD.



Material:
Housing: Thermoplastic Polyester UL94V-0.
Solder Pin: Copper Alloy, Tin Plated.
Flange NUT Clamp: Copper Alloy, M2.5.
Electrical Characteristics:
Voltage Rating: 300V.
Current Rating: 20A.
Withstanding Voltage: 1.6KV.
Operating Temperature: -40°C~+115°C.
***RoHS Compliant**



8930- F 085120 G CA xx R B
Series F:Pitch 5.0mm Manufacturing Code G:Green CA:With Flange No. of Positions R:Right Angle B:Bulk Package
Y:Grey U:Blue

Position	2 Thru 24
Dimension	
A	(No. of Positions+2)X5.0
B	(No. of Positions-1)X5.0

P.C. Board Layout

Tolerances	Dwg. No.	8930D01025	Title:	
x = ±0.50	Projection		8930 Series	
.x = ±0.30	Unit	mm	5.0mm Terminal Block	
.xx = ±0.15	Scale	1:1	(8500-XXMTR11-05)	
	Drawn By	Vic Lyu01/06'15	① 780	

OUPIIN ELECTRONIC(KUNSHAN) CO., LTD.			
P/N: 8930-F085120GCAxxRB			
SHEET	1/1	Ver.No.	X2