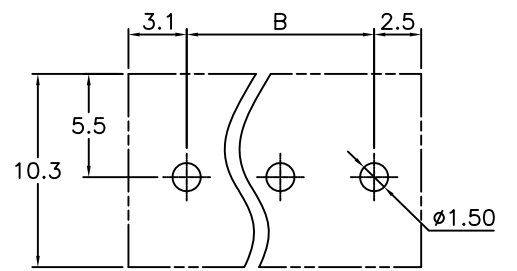
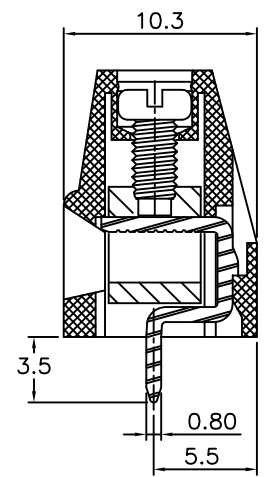
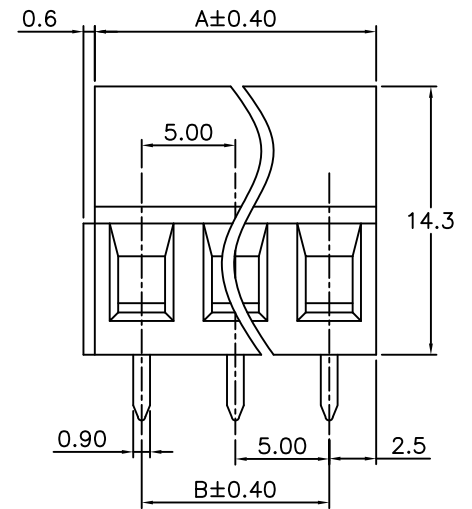
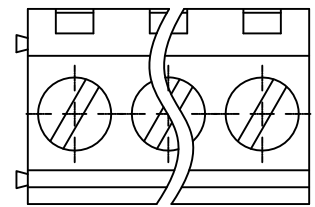


REV.	SPECIFICATION	ECN NO.	APPD.



P.C. Board Layout

Material:
Housing: Thermoplastic Polyester UL94V-0.
Solder Pin: Copper Alloy, Tin Plated.
Clamp: Copper Alloy, Ni Plated.
Screw: Metal, Zinc Plated, M2.5.

Electrical Characteristics:
Voltage Rating: 300V.
Current Rating: 10A.
Solid Wire(AWG): 12-22.
Stranded Wire(AWG): 12-22.
Torque(Lb-In): 3.5.
Wire Strip Length: 6-7mm.
Withstanding Voltage: 1.6KV.
Operating Temperature: -40°C~+115°C.
***RoHS Compliant**

8932- F 103143 G AA xx S B
Series F:Pitch 5.0mm Manufacturing Code G:Green B:Black Y:Grey U:Blue AA:Slotted "-"Screw No. of Positions xx S:Straight B:Bulk Package

Position	2 Thru 24
Dimension	
A	No. of PositionsX5.0
B	(No. of Positions-1)X5.0

Tolerances	Dwg. No.	8932D02013
x = ±0.50	Projection	
.x = ±0.30	Unit	mm
.xx = ±0.15	Scale	1:1
	Drawn By	Vic Lyu01/07'15

Title:
8932 Series
5.0mm Terminal Block
(Old P/N:8500-XXTS11-06)

OUPIN
OUPIN ELECTRONIC(KUNSHAN) CO., LTD.
P/N: 8932-F103143GAxxSB

SHEET	1/1	Ver.No.	X2
-------	-----	---------	----

①780