

REV.	SPECIFICATION	ECN NO.	APPD.

**Material:**

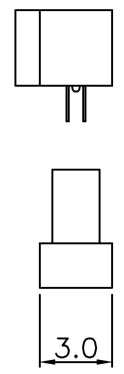
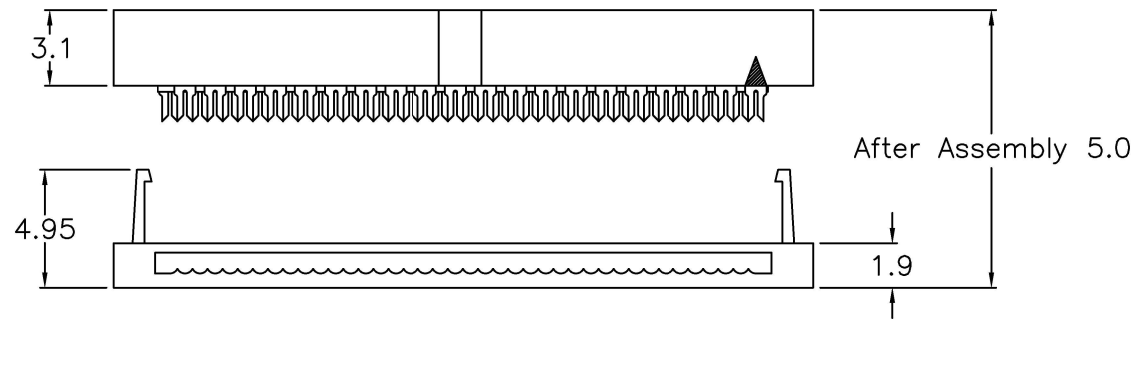
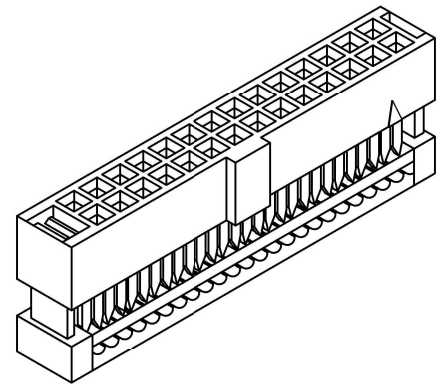
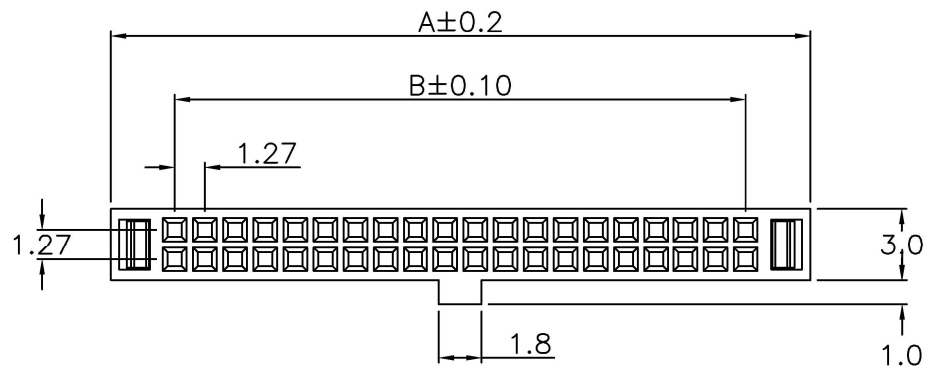
Housing: PBT, UL94V-0.  
 Contacts: Phosphor Bronze, Gold Plated over Nickel 50u".  
 Cable: 0.635mm(0.02")pitch flat cable.

**Electrical Characteristics:**

Current Rating: 0.5 AMP.  
 Dielectric Withstanding Voltage: AC 250V.  
 Insulator Resistance: 1000MΩ min.  
 Contact Resistance: 30mΩ max.  
 Operating Temperature: -40°C~+105°C.

**\*RoHS Compliant**

Insertion Depth: 1.5mm~3.0mm.



Position	A	B
6	8.01	2.54
8	9.28	3.81
10	10.55	5.08
12	11.82	6.35
14	13.09	7.62
16	14.36	8.89
20	16.90	11.43
22	18.17	12.70
24	19.44	13.97
26	20.71	15.24
30	23.25	17.78
32	24.52	19.05
34	25.79	20.32
36	27.06	21.59
40	29.60	24.13
44	32.14	26.67
50	35.95	30.48
60	42.30	36.83
64	44.84	39.37
68	47.38	41.91
80	55.00	49.53

1204-xx G 00 B 2 A  
 Series No. of Pin Count G: Gold Plated 00: Gold Flash B: Black 2: W/O Strain Relief A: Tray Package

Tolerances x = ±0.5 .x = ±0.25 .xx = ±0.15	Dwg No.	1204D02001		Title: 1204 Series I.D.C Socket 1.27mmx1.27mm	 OUPIIN ELECTRONIC(KUNSHAN) CO., LTD. P/N: 1204-xxG00B2A			
	Projection							
	Unit	mm	Scale		1:N	SHEET	1/1	Ver.No.
Drawn By	Sherry 08/01'19			Q722/703				