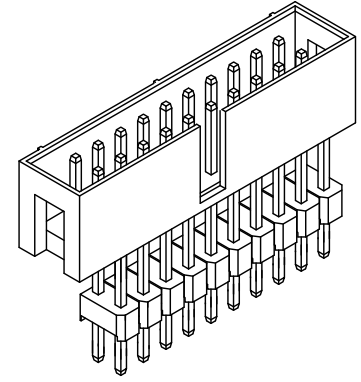
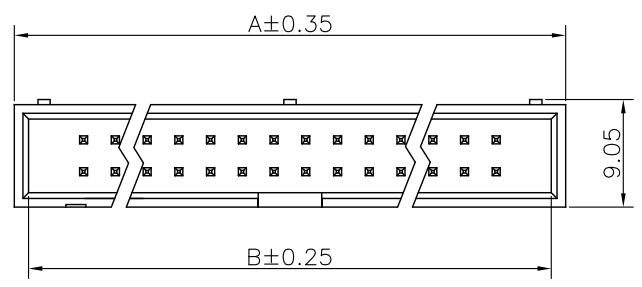
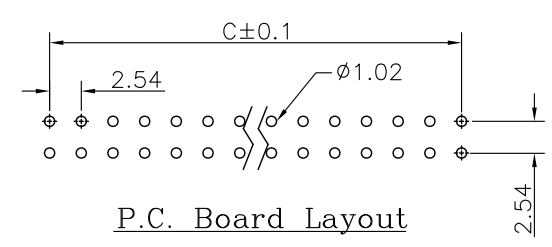
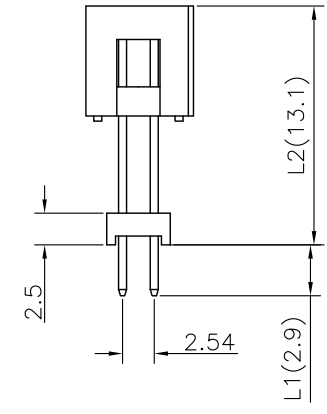
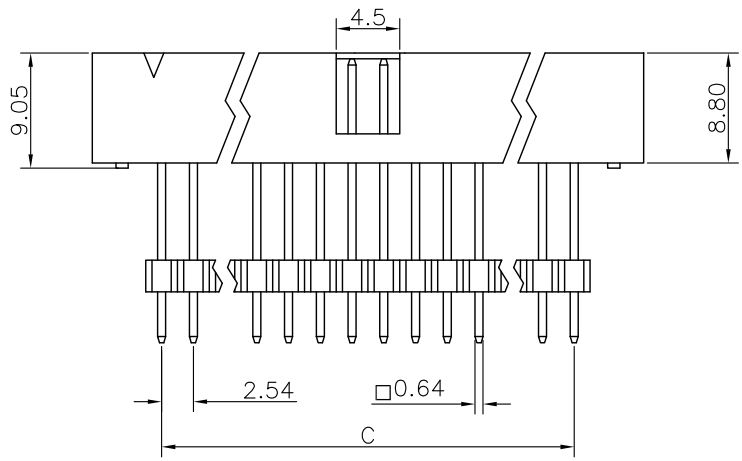


REV.	SPECIFICATION	ECN NO.	APPD.



Material:
Housing: PBT, UL94V-0.
Contacts: Brass, Gold Plated over Nickel 20~50u".

Electrical Characteristics:
Current Rating: 2 AMP.
Insulation Resistance: 1000MΩmin. at DC 500V.
Contact Resistance: 20mΩ max.at DC 100mA.
Operating Temperature: -40°C~+105°C.
***RoHS Compliant**



Series: 2013 xx G 00 S -L1 -L2 B

No. of Pin Count: xx

G: Gold Plated
T: Tin Plated

00: G/F

B: Bulk Package
L2: Extended Height
L1: Dip Length
S: Straight

Position	Dimension		
	A	B	C
10	20.34	18.10	10.16
14	25.48	23.18	15.24
16	27.90	25.72	17.78
20	33.05	30.80	22.86
24	38.08	35.68	27.94
26	40.68	38.42	30.48
30	45.70	43.50	35.56
34	50.80	48.58	40.64
40	58.46	56.20	48.26
50	71.10	68.90	60.96
60	83.80	81.60	73.66
64	89.10	86.68	78.74

Tolerances	Dwg. No.	2013D01001	Title:		2013 Series Box Header 2.54mm				
x = ±0.50	Projection		Scale: 1:1			OUPIIN ELECTRONIC(KUNSHAN) CO., LTD.			
.x = ±0.25	Unit	mm				P/N: 2013-xxG00S-L1-L2B			
.xx = ±0.15	Drawn By	Polly 03/08'18	① 535	SHEET		1/1	Ver.No.	A6	