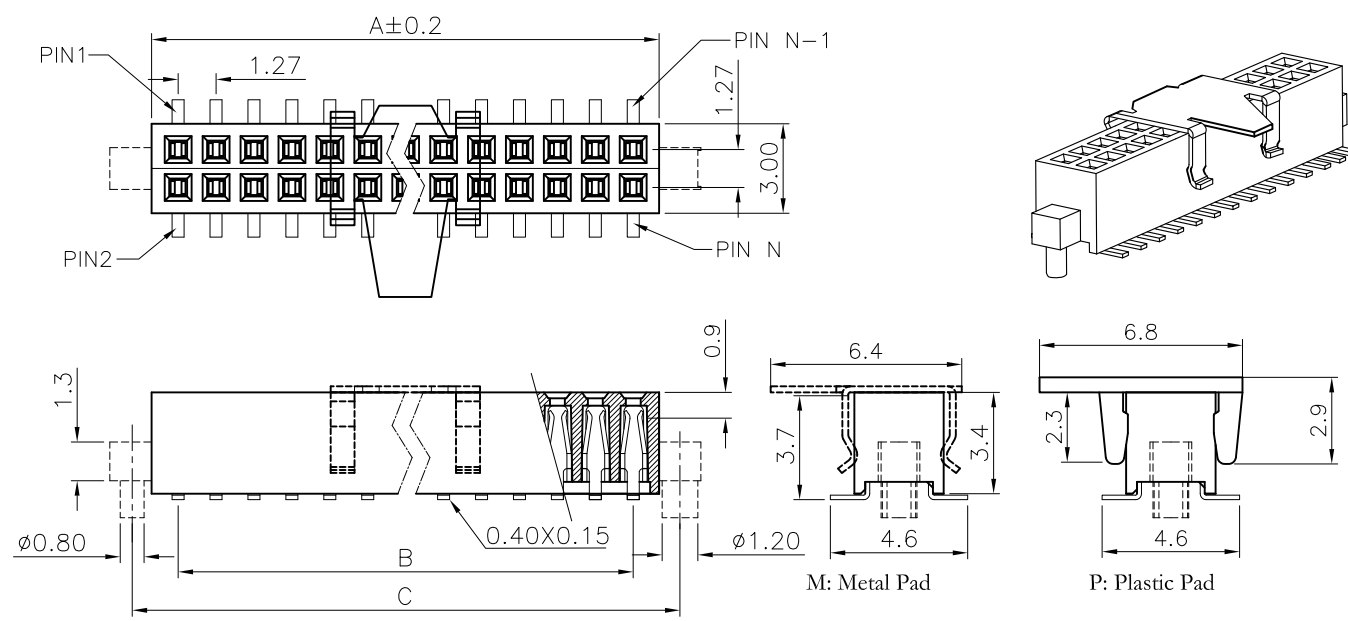


REV.	SPECIFICATION	ECN NO.	APPD.
R6		ECN220866	



Material and Plating:

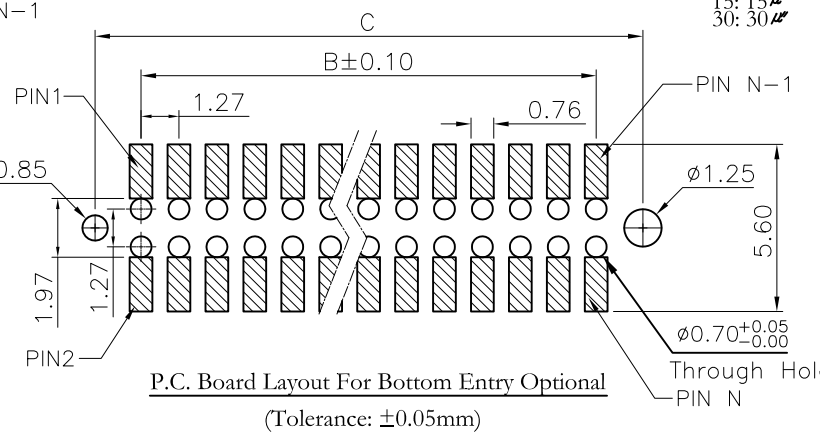
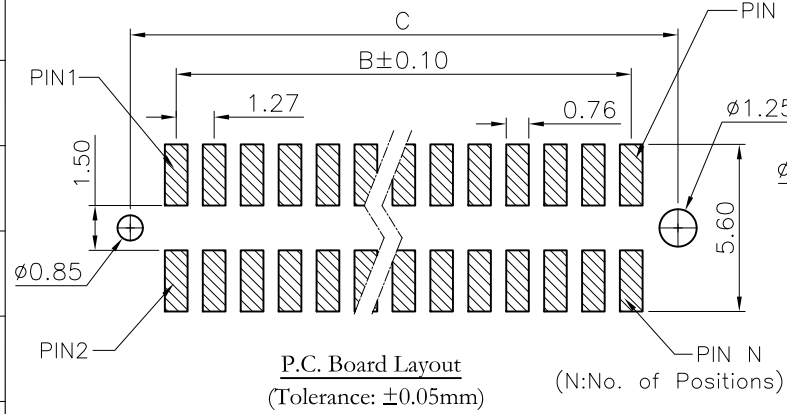
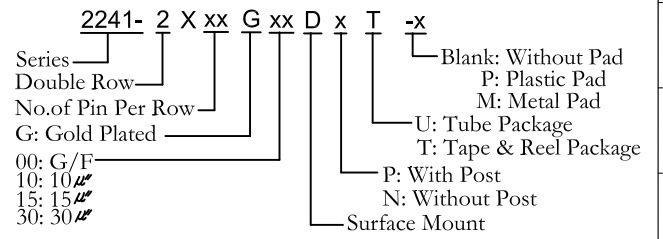
Housing: LCP, 30% Glass Filled, UL94V-0, BLACK.
 Signal Contacts : Phosphor Bronze.
 Gold plating: xxu" Gold Plated on Contact Area and Gold flash on Solder Tail over nickel 50u" Min .

Electrical Characteristics:

Current Rating: 1 AMP.
 Dielectric Withstanding Voltage: AC 500V for 1 minute.
 Insulator Resistance: 1000M Ω min. at DC 500V.
 Contact Resistance: 20m Ω max. at DC 100mA.
 Operating Temperature: -65°C~+125°C.
 Max Processing Temperature: 230°C for 30~60 seconds.

***RoHS Compliant**

Insertion Depth: 2.00mm to 3.00mm
 Bottom Entry Insertion Depth: 4.20mm min.
 (Excluding PCB Thickness).



Position	6 Thru 100
Dimension	
A	1.27 X No. of Positions /2+0.46
B	1.27 X No. of Positions /2-1.27
C	1.27 X No. of Positions /2+1.77

Tolerances	Dwg. No.	2241D02004	Title:	2241 Series P.C.B. Socket 1.27mmX1.27mm
x = ± 0.5	Projection		Scale	1:1
.x = ± 0.25	Unit	mm	Drawn By	CCH8/31/22
.xx = ± 0.15				

OUPIN
 OUPIN ELECTRONIC(KUNSHAN) CO., LTD.
 P/N: 2241-2XxxGxxDxT-x
 SHEET 1/1 Ver.No. R6