

REV.	SPECIFICATION	ECN NO.	APPD.

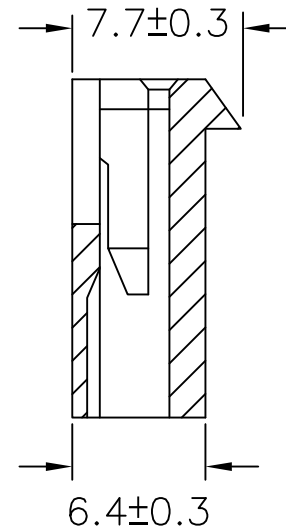
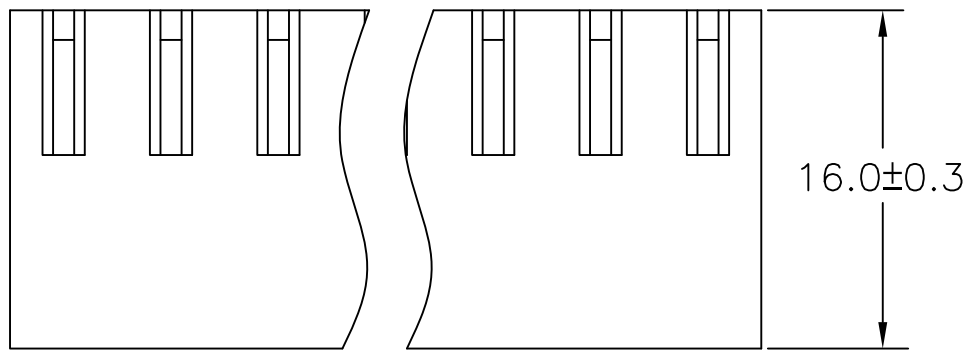
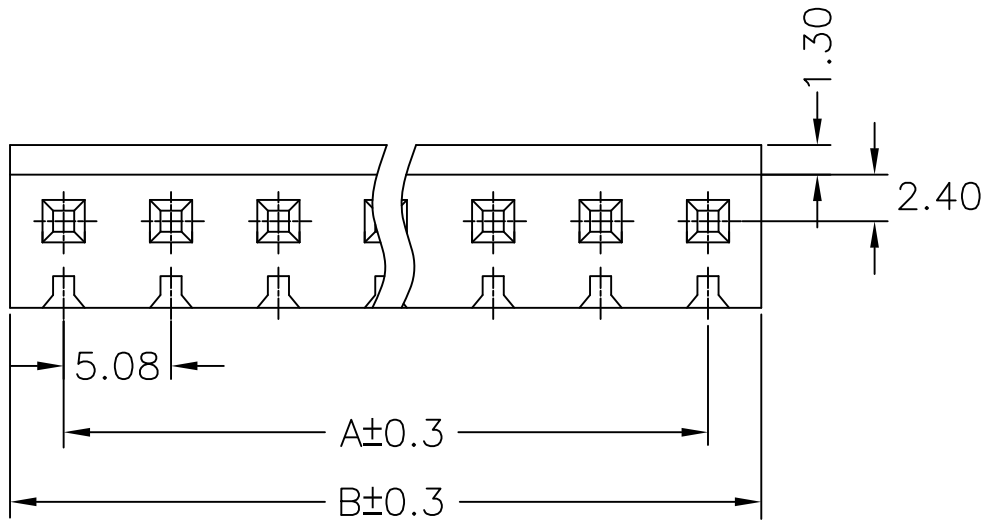
**Material:**

Housing: Thermoplastic Polyester UL94V-2.

**Electrical Characteristics:**

Operating Temperature: -25°C~+85°C

**\*RoHS Compliant**



Position	Dimension	
	A	B
2	5.08	10.16
3	10.16	15.24
4	15.24	20.32
5	20.32	25.40
6	25.40	30.48
7	30.48	35.56
8	35.56	40.64
9	40.64	45.72
10	45.72	50.80

4871- xx H B  
 Series No. of H:Housing B: Bulk Package  
 Position

Tolerances	Dwg. No.	4871H02002		Title:		
x = ±0.50	Projection	⊕ ↗		4871 Series HOUSING		
.x = ±0.25	Unit	mm	Scale			1:1
.xx = ±0.15	Drawn By	Vic Lyu12/10'15				① 704

<b>OUPIN</b>			
OUPIN ELECTRONIC(KUNSHAN) CO., LTD.			
P/N: 4871-xxHB			
SHEET	1/1	Ver.No.	A5