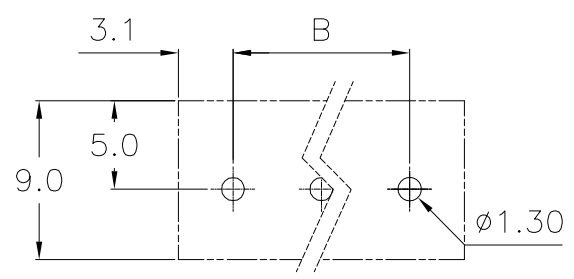
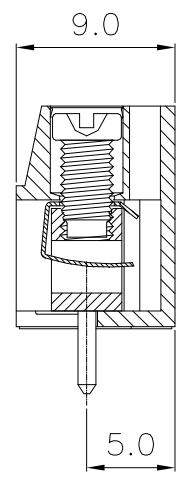
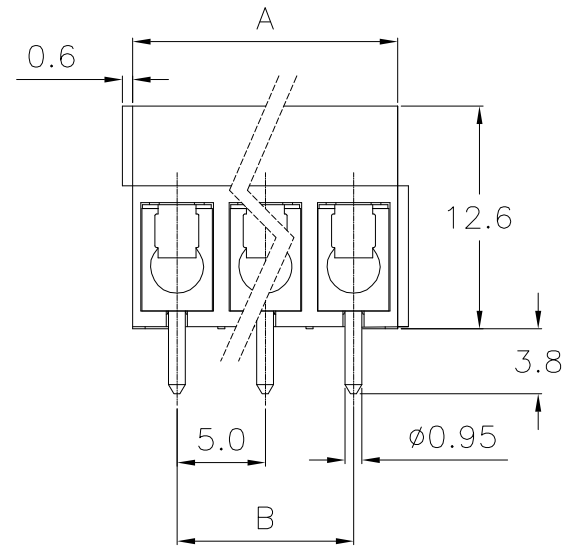
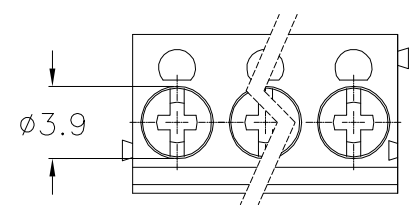


REV.	SPECIFICATION	ECN NO.	APPD.



P.C.Board Layout

Material:
Housing: Thermoplastic Polyester UL94V-0.
Solder Pin: Copper Alloy, Tin Plated.
Wire Guard: Metal.
Screw: Metal, Zinc Plated, M3.
Electrical Characteristics:
Voltage rating: 250V
Current rating: 16A
Solid wire(AWG): 14-22
Stranded wire(AWG): 14-22
Torque(Lb-In): 2.6Lb-In/4Kgf.cm/0.6Nm
Wire strip length: 6-7mm
Withstanding Voltage: 1.5KV
Operating temperature: -30°C to +105°C
***RoHS Compliant**

8931- F 090126 U AB xx S B
Series F:Pitch 5.0mm Manufacturing Code U:Blue G:Green B:Black Y:Grey AB:Combination "+" Screw No. of Positions S:Straight B:Bulk Package for 2~4 Pos. Box Package for 5~24 Pos.

Position	02 Thru 24
Dimension	
A	No. of Positions *5.0
B	(No. of Positions -1) *5.0

Tolerances	Dwg. No.	8931D02003	Title:		 OUPIIN ELECTRONIC(KUNSHAN) CO., LTD. P/N: 8931-F090126UABxxSB SHEET 1/1 Ver.No. A3			
x = ±0.5	Projection		8931 Series					
.x = ±0.30	Unit	mm	Scale	1:1				
.xx = ±0.15	Drawn By	PING01/25'19	5.0mm Terminal Black (8500-xxTS40-08)					
			① 780					