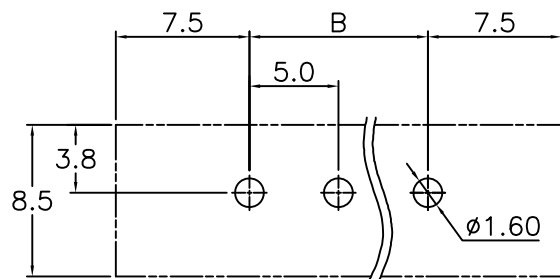
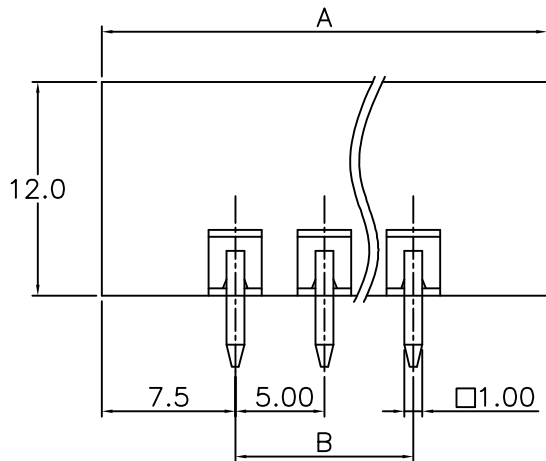
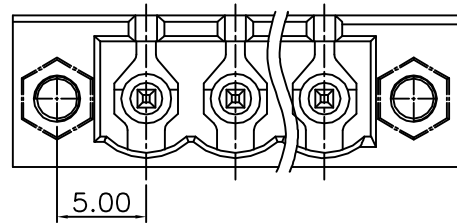


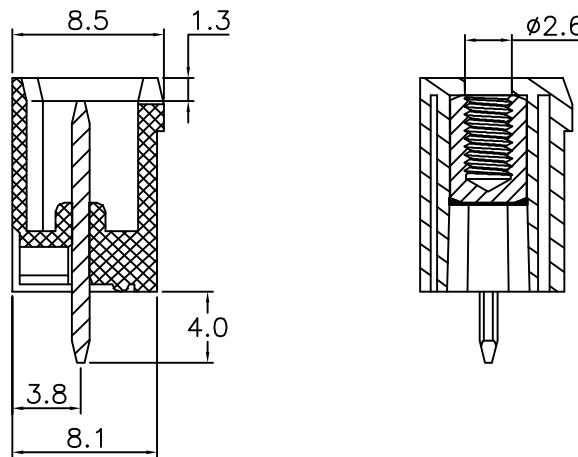
REV.	SPECIFICATION	ECN NO.	APPD.

A-  
B-  
C-  
D-  
E-  
F-  
G-  
H-

A-  
B-  
C-  
D-  
E-  
F-  
G-  
H-



P.C. Board Layout



8930- F 085120 G CA xx S B  
 Series F:Pitch Manufacturing G:Green CA:With No. of S:Straight B:Bulk  
 5.0mm Code Y:Grey U:Blue Positions Package

Position	2 Thru 24
Dimension	
A	(No. of Positions+2)X5.0
B	(No. of Positions-1)X5.0

Tolerances	Dwg. No.	8930D01026	Title:	
x = ±0.50	Projection		8930 Series 5.0mm Terminal Block	
.x = ±0.30	Unit	mm		
.xx = ±0.15	Scale	1:1		
	Drawn By	Vic Lyu01/06'15	① 780	

<b>OUPIN</b>			
OUPIN ELECTRONIC(KUNSHAN) CO., LTD.			
P/N: 8930-F085120GCAxxSB			
SHEET	1/1	Ver.No.	X1

1 2 3 4 5 6 7 8 9 10 11 12

1 2 3 4 5 6 7 8 9 10 11 12