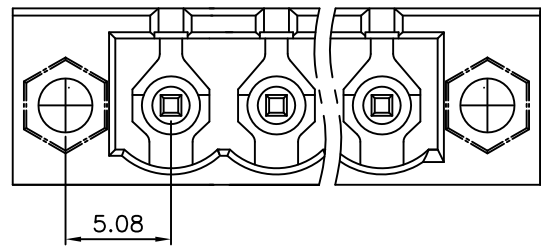
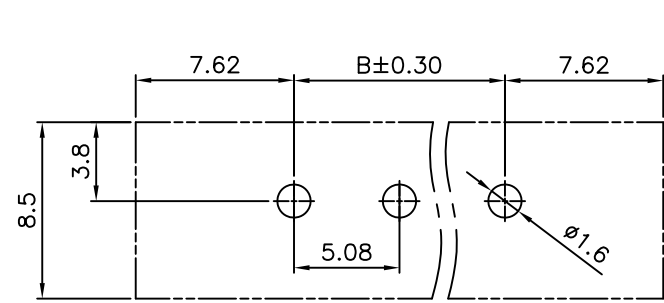
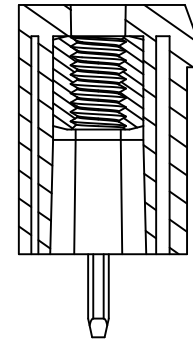
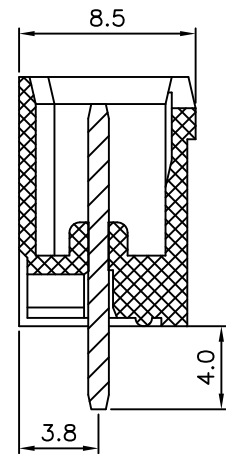
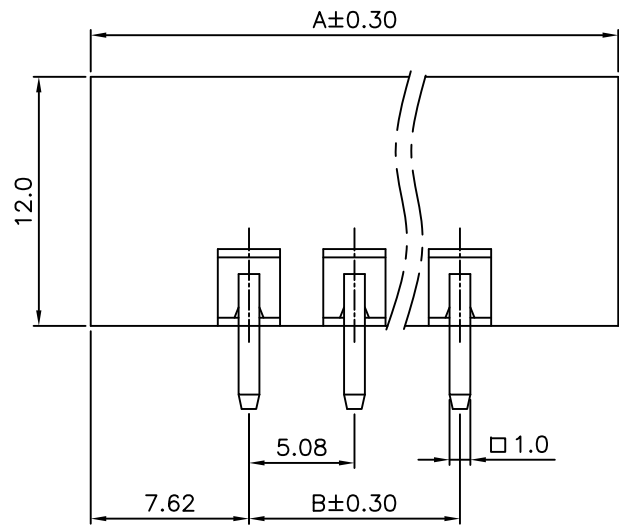


REV.	SPECIFICATION	ECN NO.	APPD.



Material:
Housing: Thermoplastic Polyester UL94V-0.
Contact Pin: Copper Alloy, Tin Plated.
Flange NUT: Copper Alloy, M2.5.

Electrical Characteristics:
Voltage Rating: 300V.
Current Rating: 20A.
Withstanding Voltage: 1.6KV.
Operating Temperature: -40°C~+115°C.
***RoHS Compliant**



P.C.Board Layout

8930- Series **G** Pitch 5.08mm **085120** Manufacturing Code **G** G:Green B:Black Y:Grey U:Blue **CA** CA:With Flange **xx** No. of Positions **S** S: Straight **B** B: Bulk Package for 2~4Pos. Box Package for 5~24Pos.

Position	02 Thru 24
Dimension	
A	No. of Positions*5.08+10.16
B	(No. of Positions-1)*5.08

Tolerances	Dwg. No.	8930D01014
x = ±0.5	Projection	
.x = ±0.30	Unit	mm
.xx = ±0.15	Scale	1:1
	Drawn By	FL10/05'12

Title:
8930 Series
5.08mm Terminal Block
(8800-xxMTS11-02)

OUPIIN
OUPIIN ELECTRONIC(KUNSHAN) CO., LTD.
P/N: 8930-G085120GCAxxSB

SHEET	1/1	Ver.No.	A3
-------	-----	---------	----

① 780